

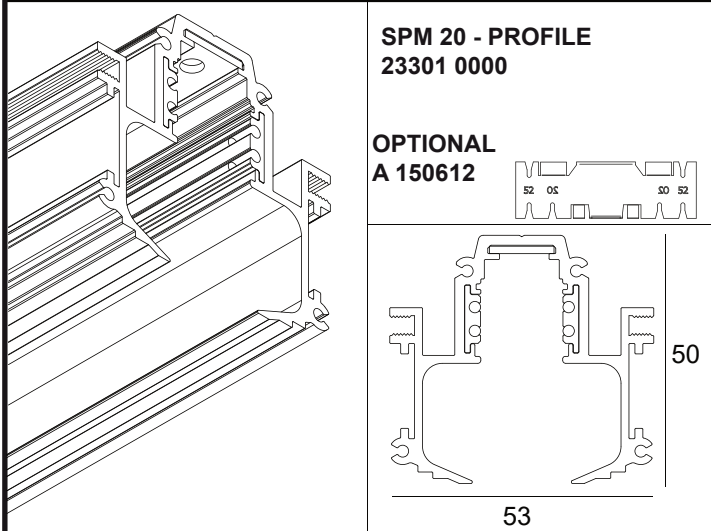
Enkel geschikt voor toestellen op zeer lage spanning (minder dan 50 V-AC / 120 V-DC)
 Convient uniquement pour les produits à très basse tension (moins de 50 V-AC / 120 V-DC)
 Geeignet für Güter mit sehr niedriger Spannung (unter 50 V-AC / 120 V-DC)
 Only suited for goods at very low voltage (below 50 V-AC / 120 V-DC)
 Se recomienda únicamente para aquellos productos de tensión muy baja (menos de 50 V-AC / 120 V-DC)
 Vale unicamente per i prodotti a tensione molto bassa (inferiore a 50 V-AC / 120 V-DC)

Not compatible with Class I devices and not with other companies Class III devices

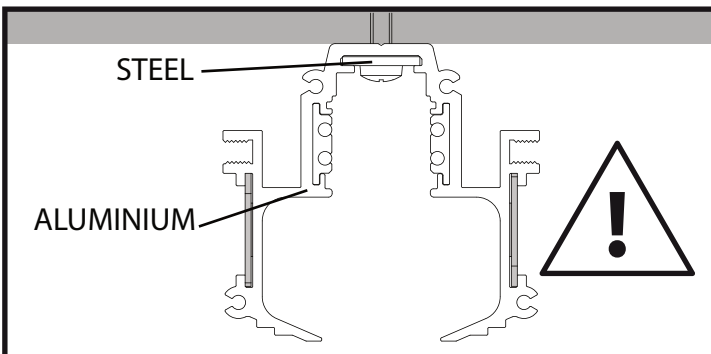
IP20
 Beschermtd tegen vaste voorwerpen die groter zijn dan 12 mm
 Protégé contre les objets solides de plus de 12 mm
 Geschützt gegen Festkörper größer als 12 mm
 Protected against solid objects greater than 12 mm
 Protegido contra objetos sólidos superiores a 12 mm
 Protetto contro oggetti solidi più grandi di 12 mm

Install suitable means for overload and short-circuit protection according to local installation requirements. (IEC 60364-7-715)

SPM20 - PROFILE



48V-DC (2 conductors)
MAX. 200W, MAX 50M
 2 DIM conductors (for individual dimming)
 DALI dimmable luminaires on request

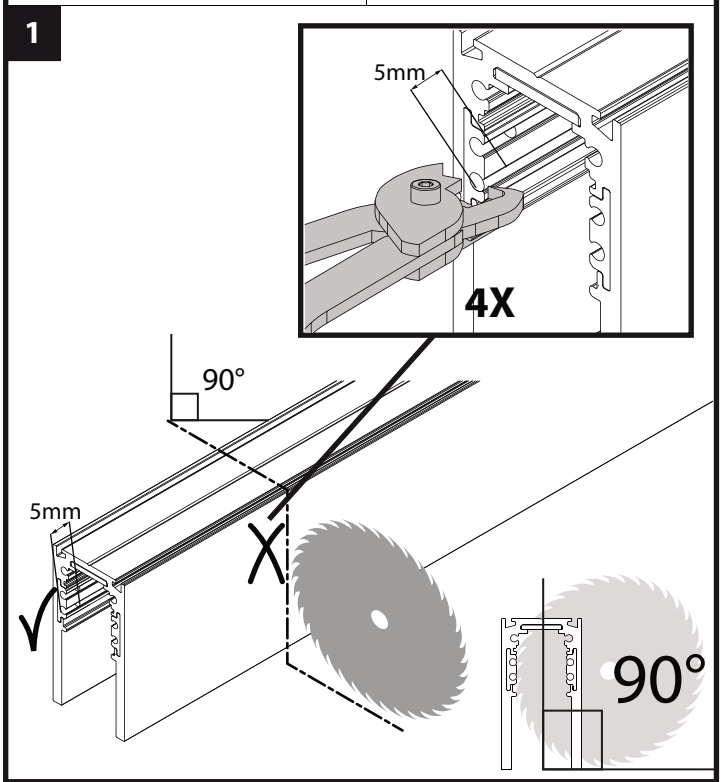
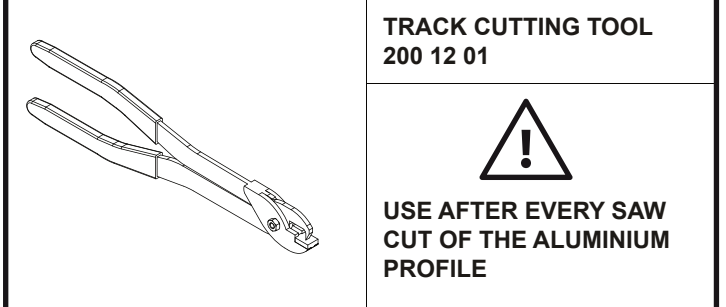


SPLITLINE M20 PROFILE

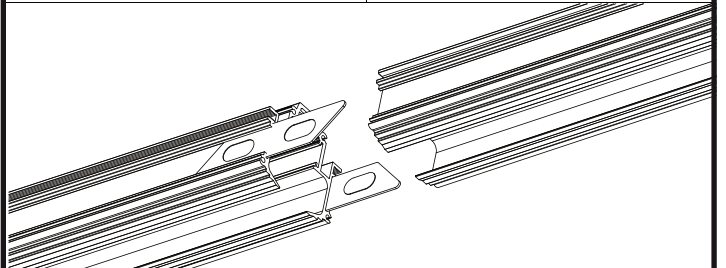
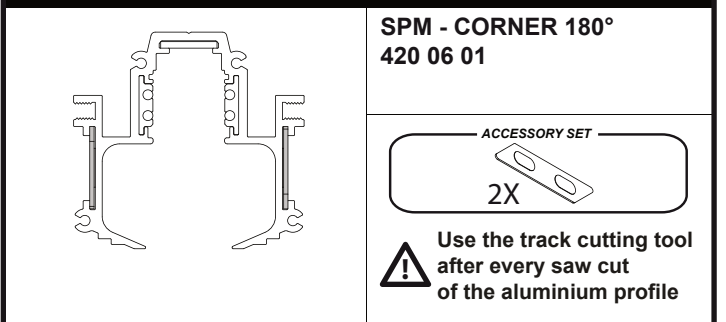
DEEL
 PARTIE
 TEIL
 PART
 PARTE
 PARTE

A

TRACK CUTTING TOOL

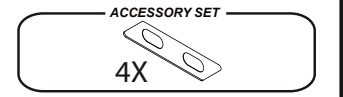
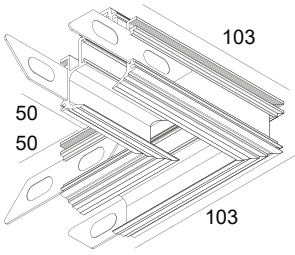


SPM CORNER 180°

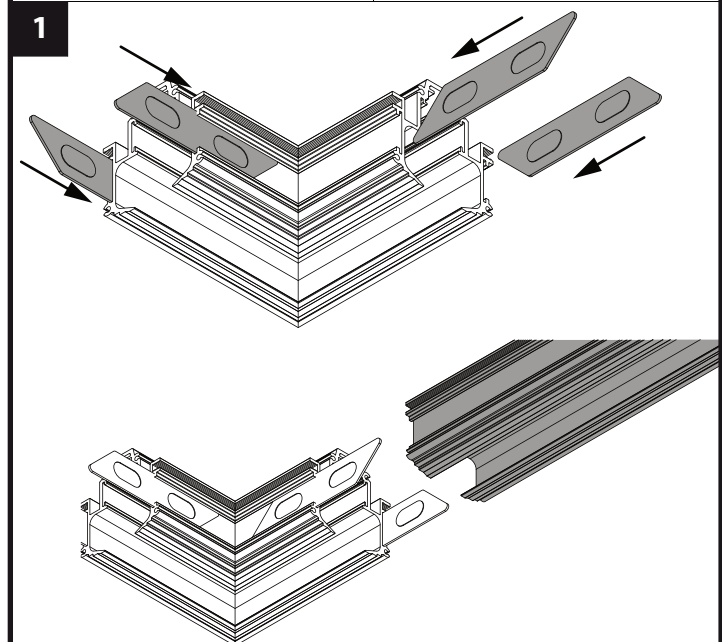


SPM20 CORNER SET 90°

SPM20 - CORNER SET 90°
420 20 06 06

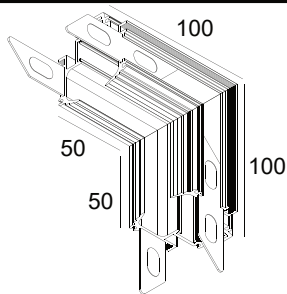


! Use the track cutting tool after every saw cut of the aluminium profile

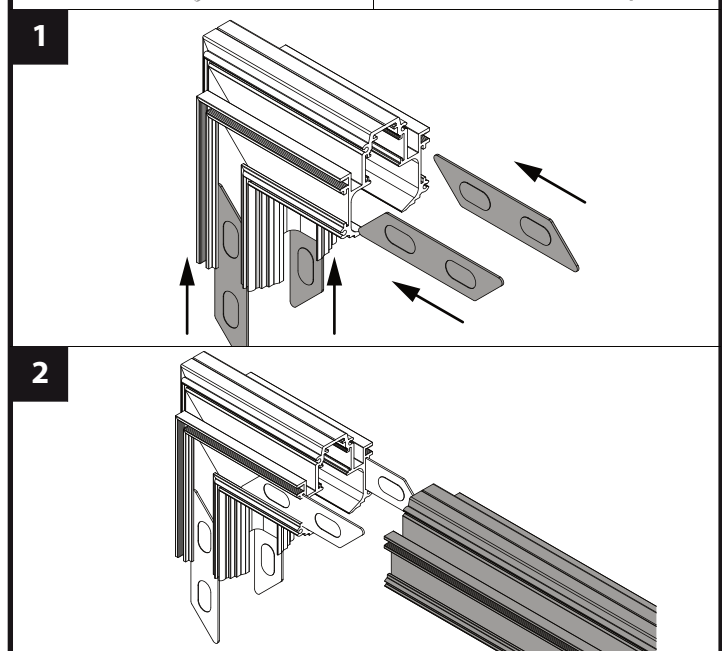


SPM20 CORNER SET V90°

SPM20 - CORNER SET 90°
420 20 06 17

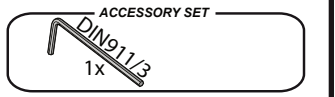
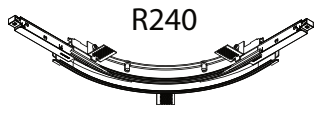


! Use the track cutting tool after every saw cut of the aluminium profile

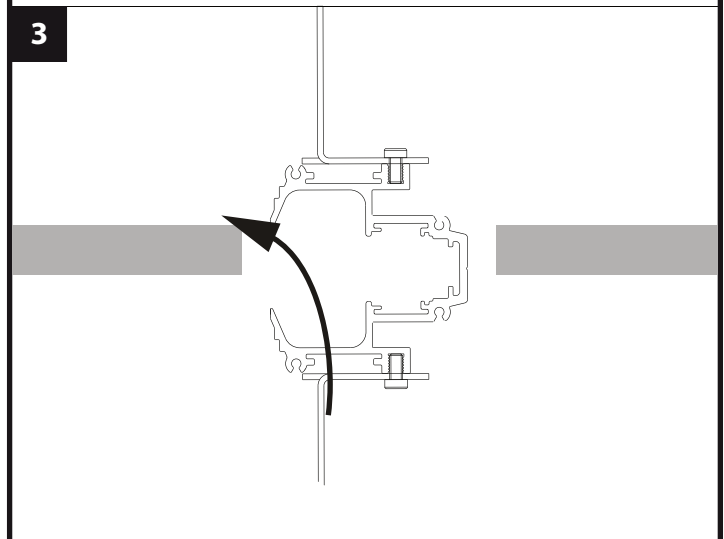
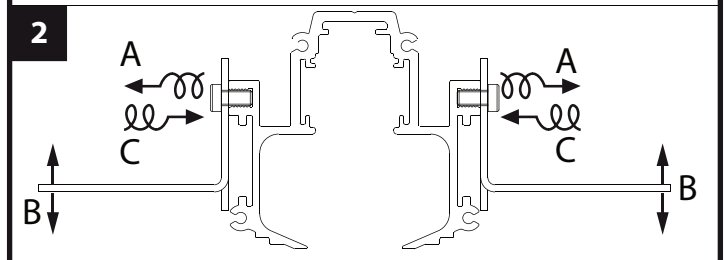
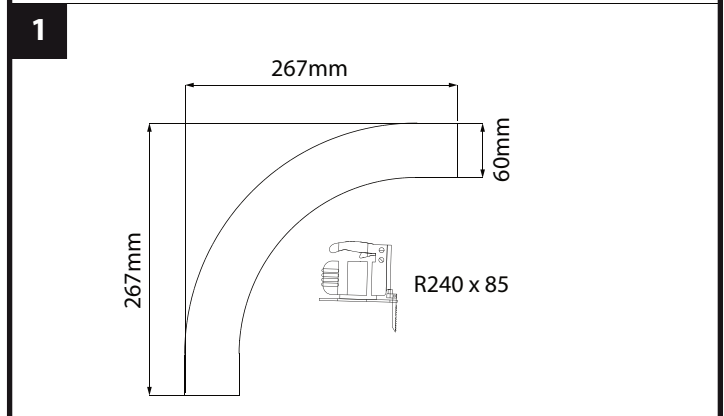
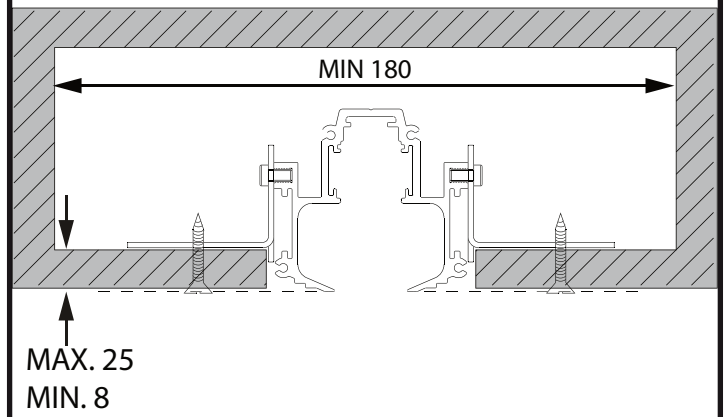


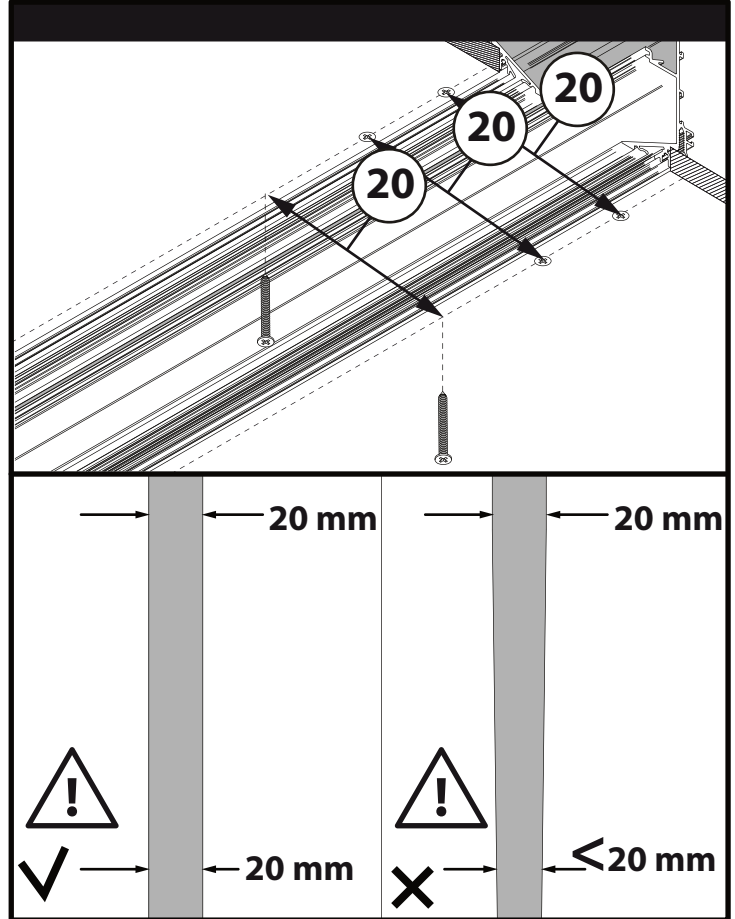
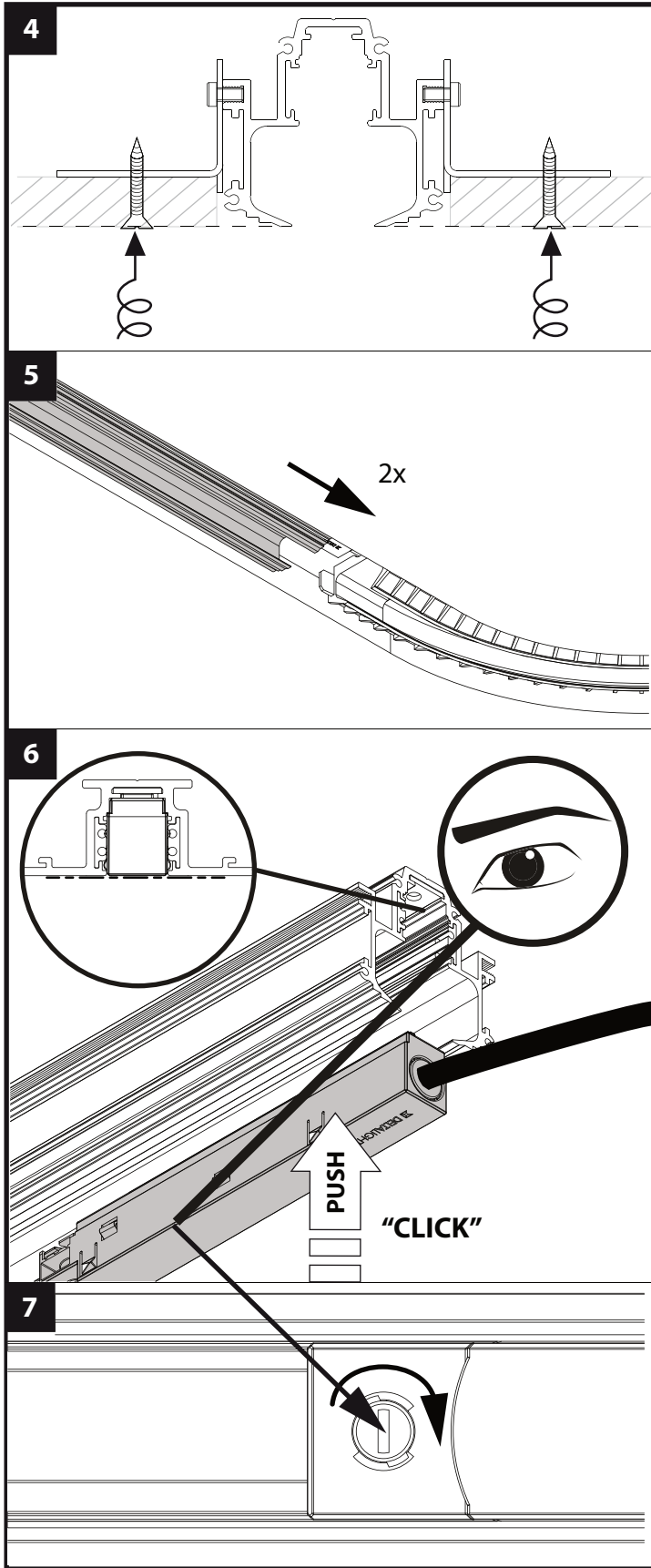
SPM20 CORNER SET 90°

SPM20 - CORNER SET R 90°
23301 0690

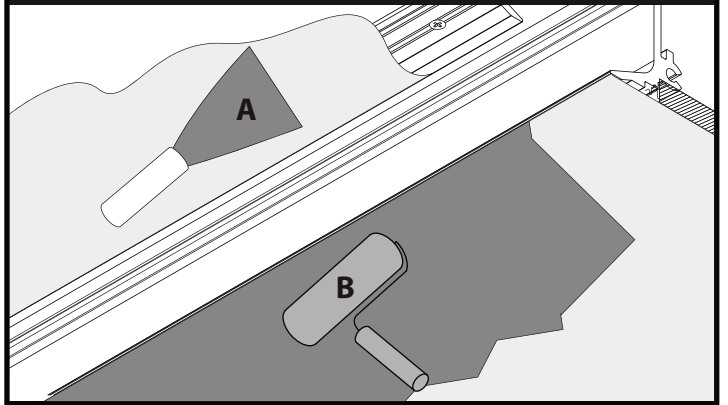


FIXATION
POSITION FOR INSTALLATION





PLASTER AND PAINT



MORE INFO FOR CEILING FINISHING

<https://www.deltalight.com/downloads/CeilingFinishing.pdf>



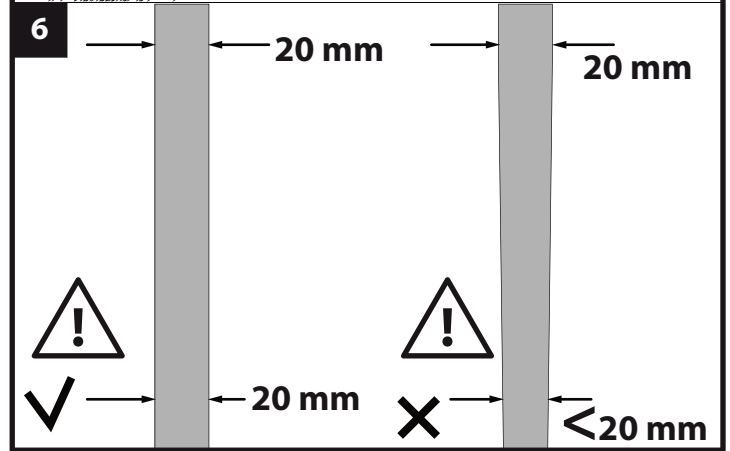
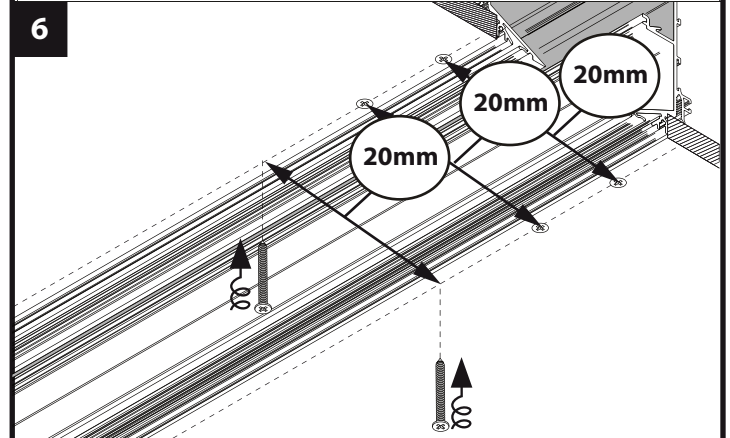
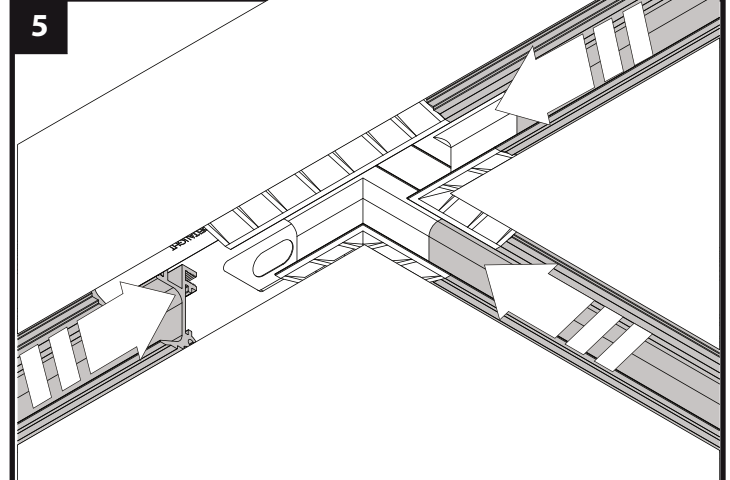
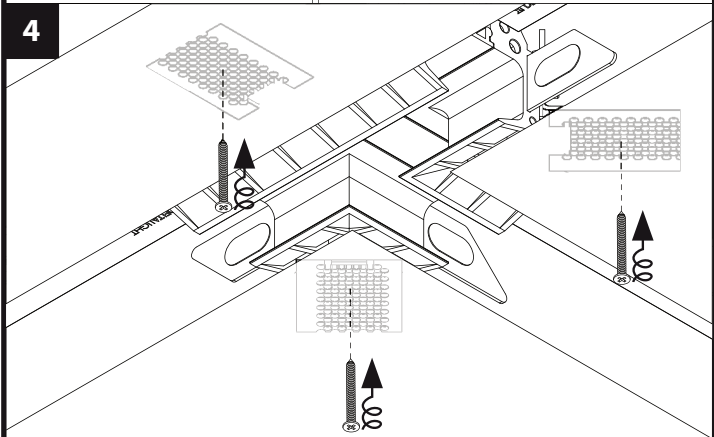
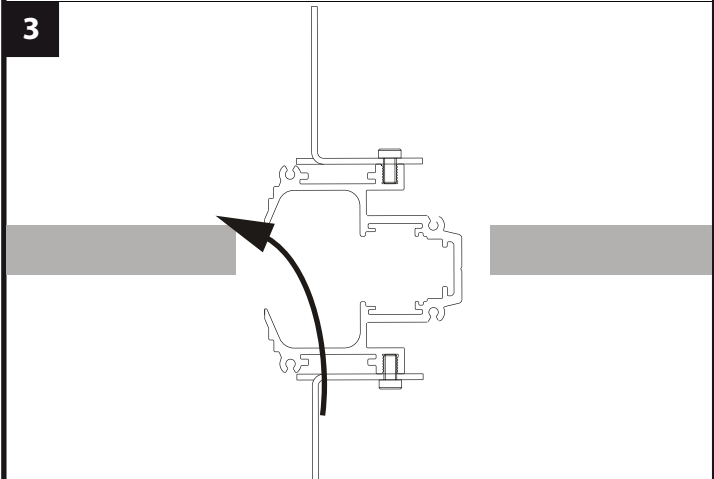
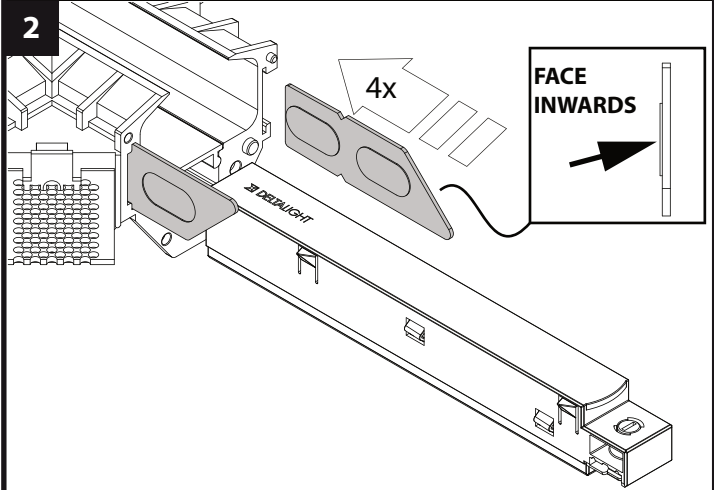
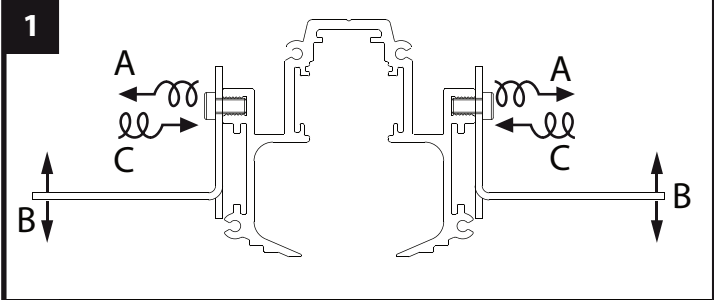
SCAN ME

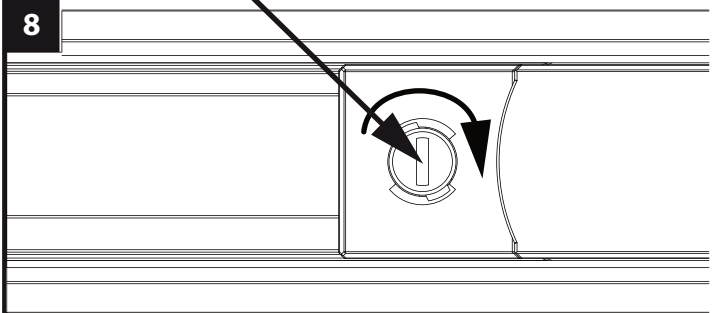
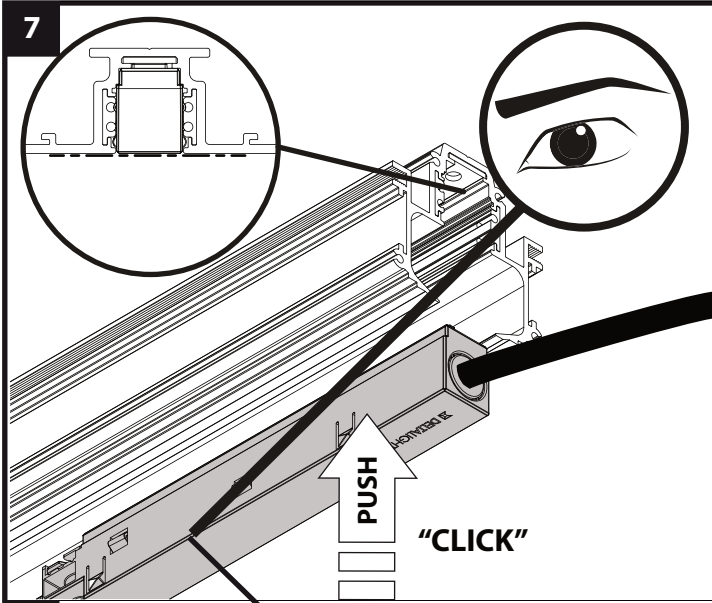
SPM20 - CORNER SET - T

SPM20 - CORNER SET - T
23302 0010

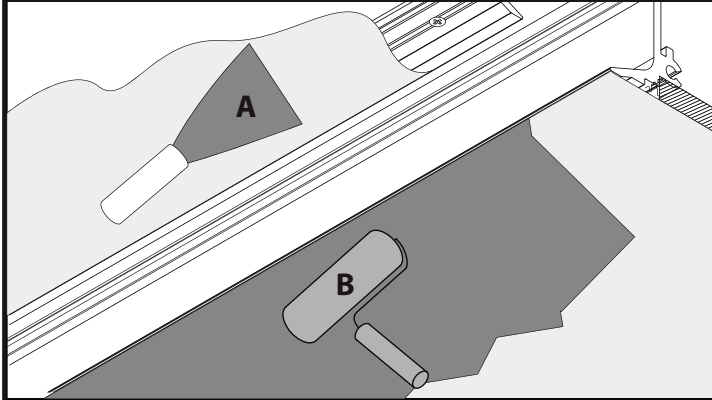
77 100 50

ACCESSORY SET
DIN9113
1x





PLASTER AND PAINT



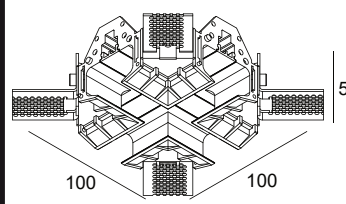
MORE INFO FOR CEILING FINISHING

<https://www.deltalight.com/downloads/CeilingFinishing.pdf>

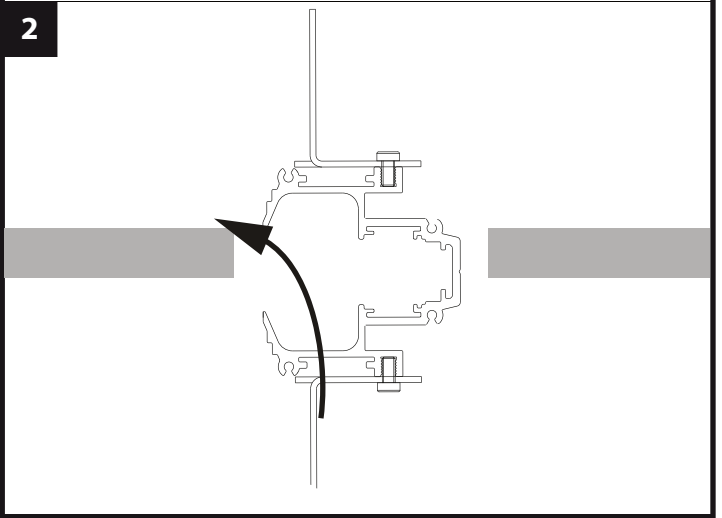
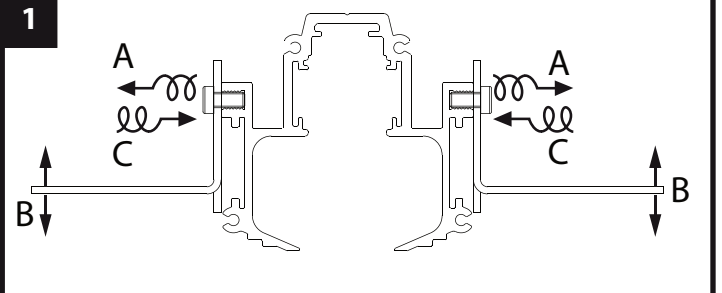


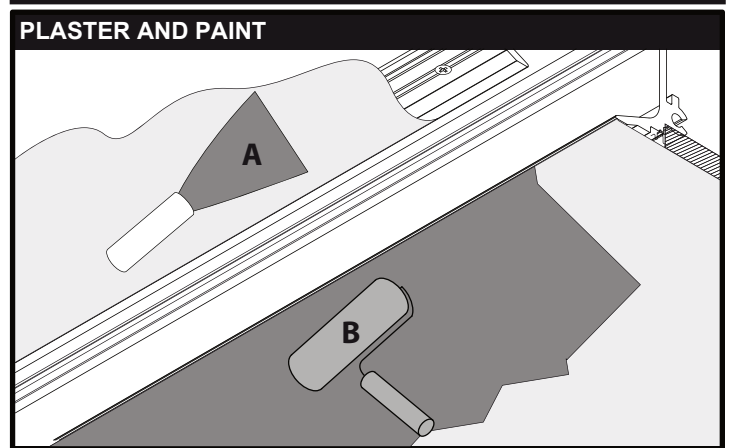
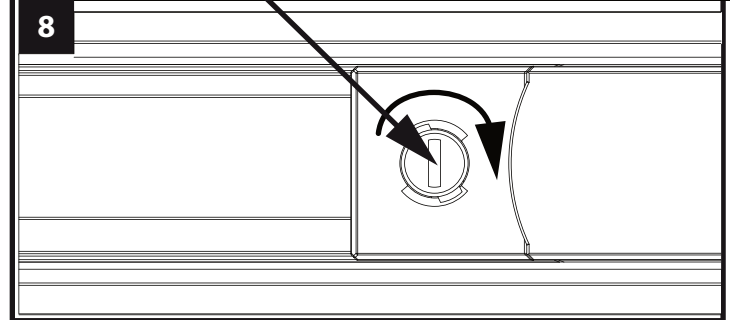
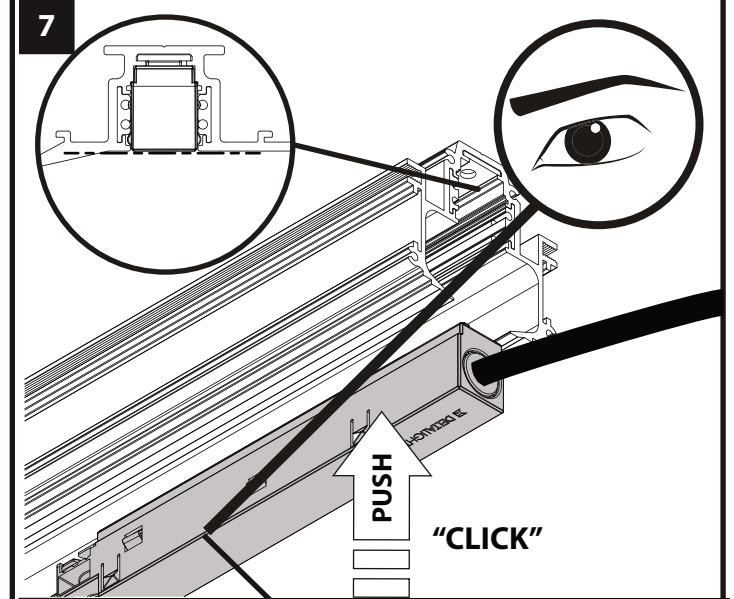
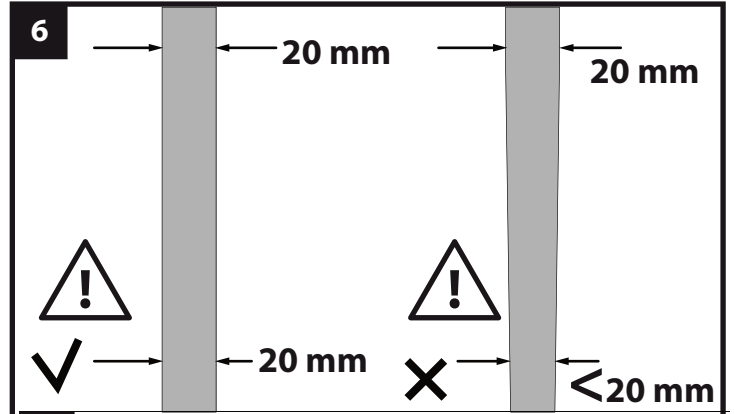
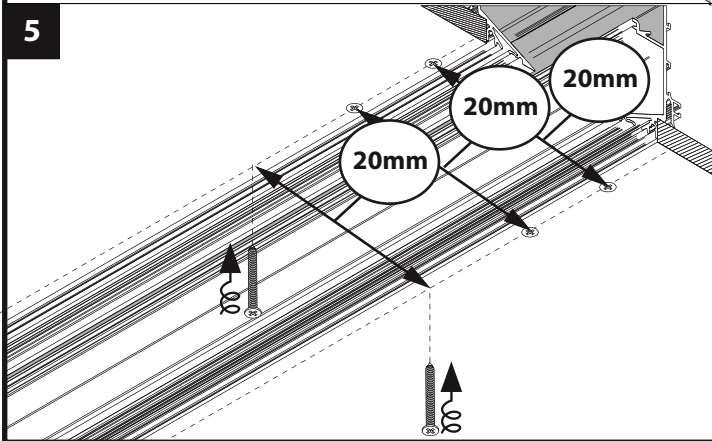
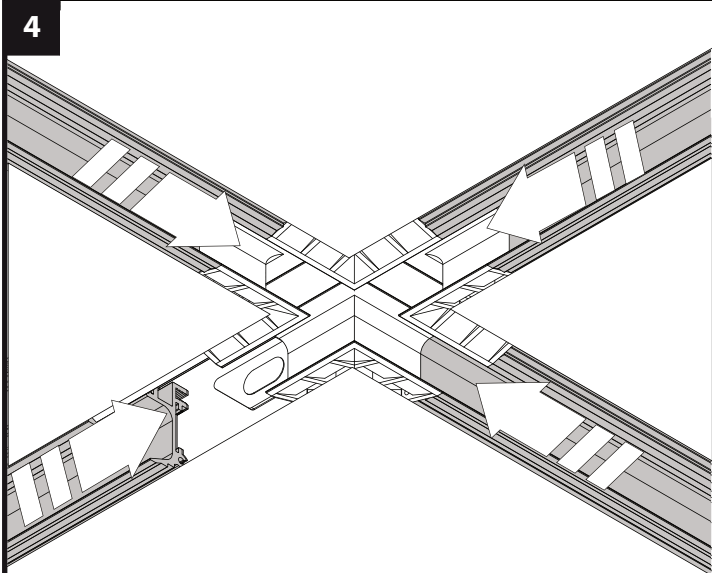
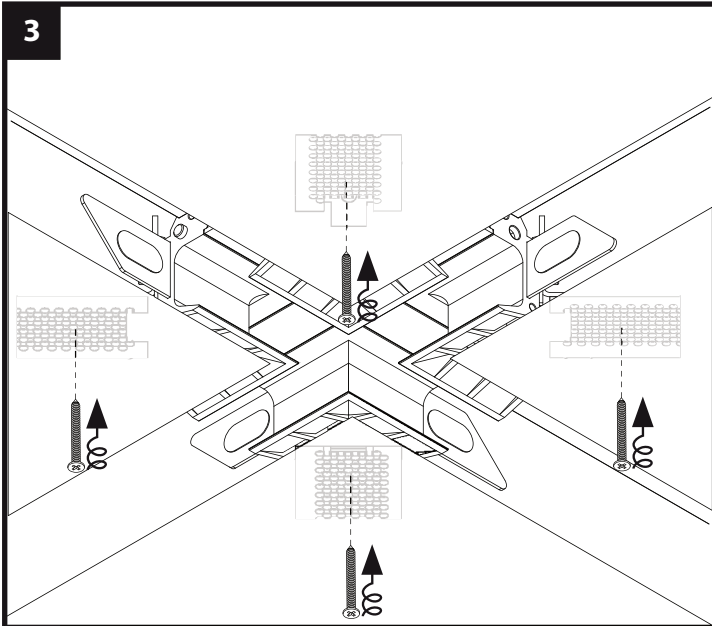
SCAN ME

SPM20 - CORNER SET - X



SPM20 - CORNER SET - X
23302 0020





MORE INFO FOR CEILING FINISHING

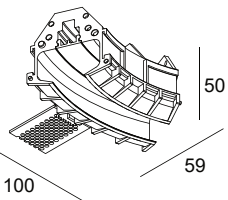
<https://www.deltalight.com/downloads/CeilingFinishing.pdf>



SCAN ME

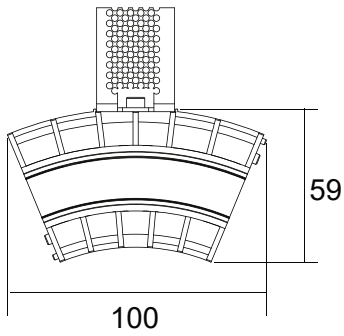
SPM20 - CORNER SET - R 45° S

SPM20 - CORNER SET - R 45° S
23302 0030

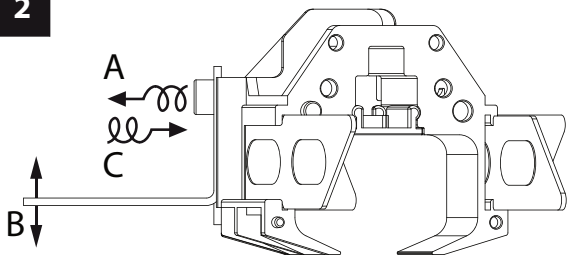


FIXATION

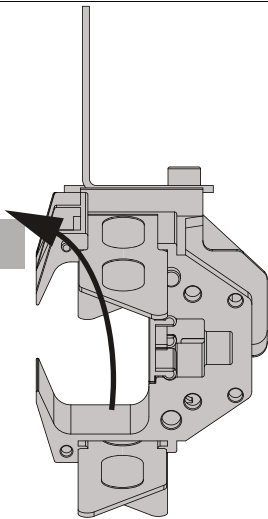
1



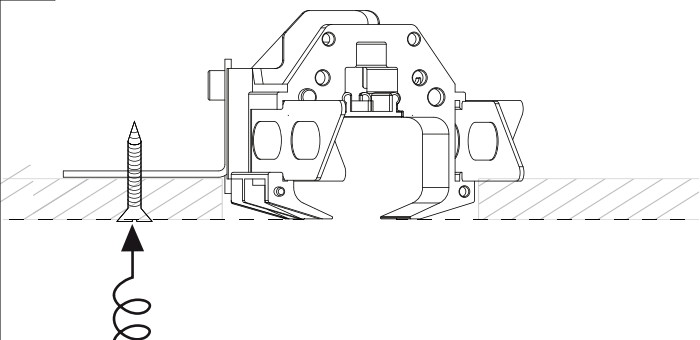
2



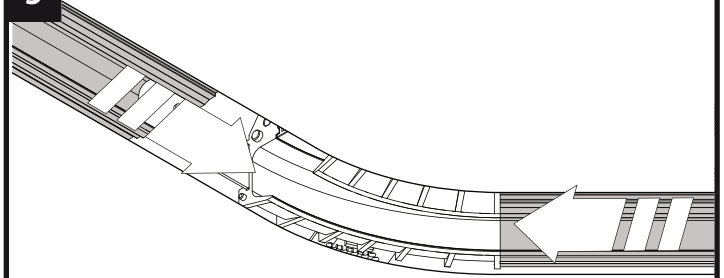
3



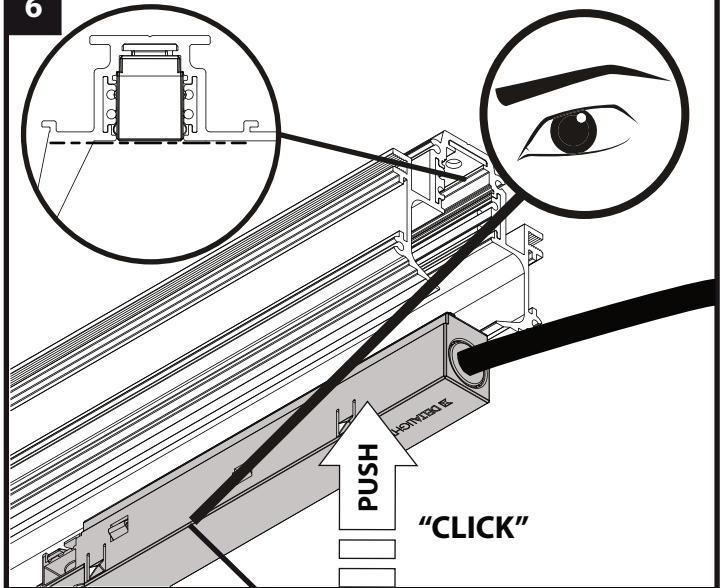
4



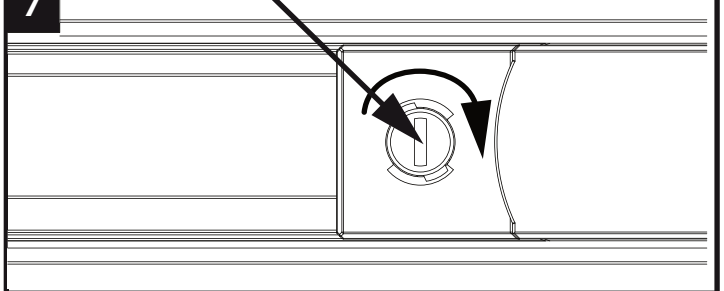
5



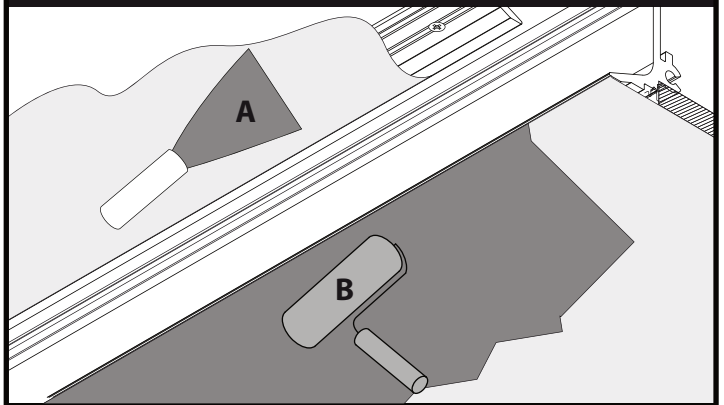
6



7



PLASTER AND PAINT



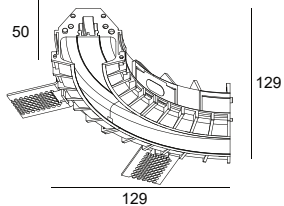
MORE INFO FOR CEILING FINISHING

<https://www.deltalight.com/downloads/CeilingFinishing.pdf>



SCAN ME

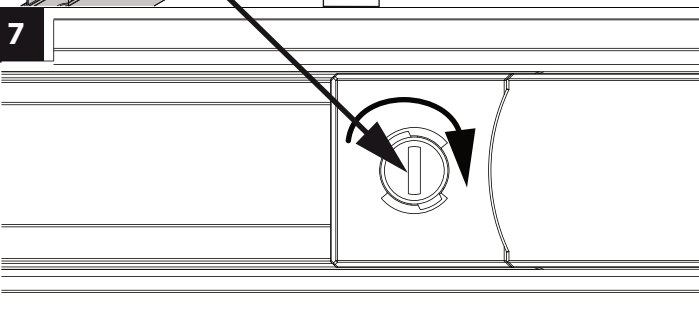
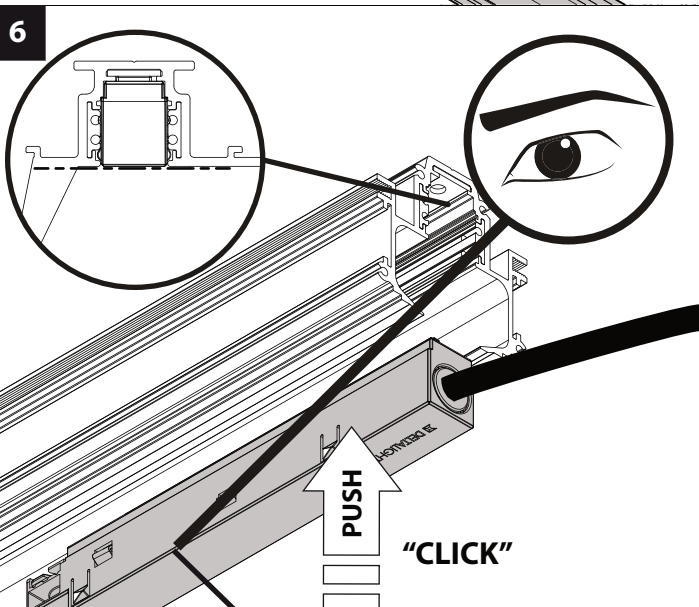
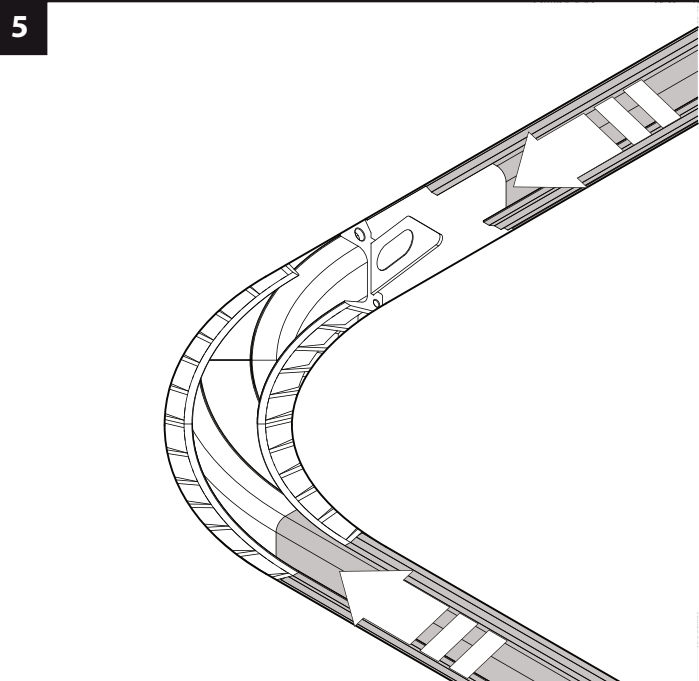
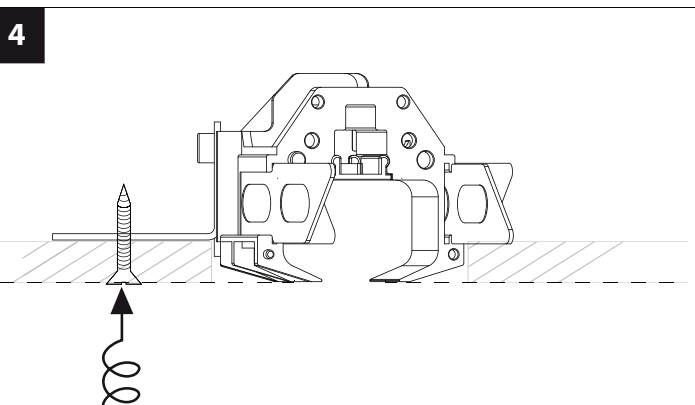
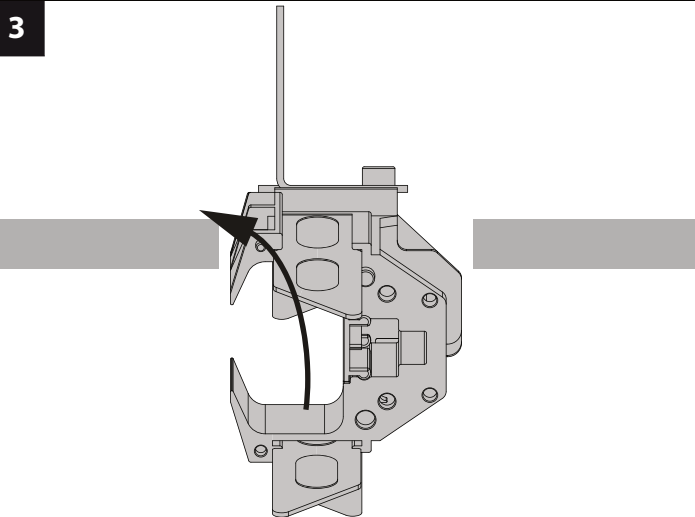
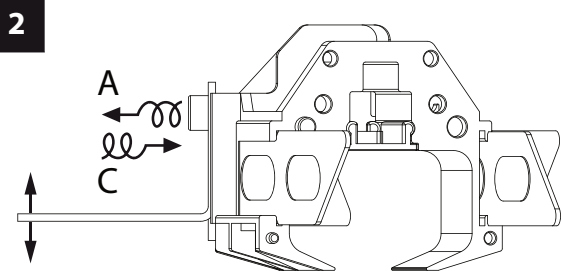
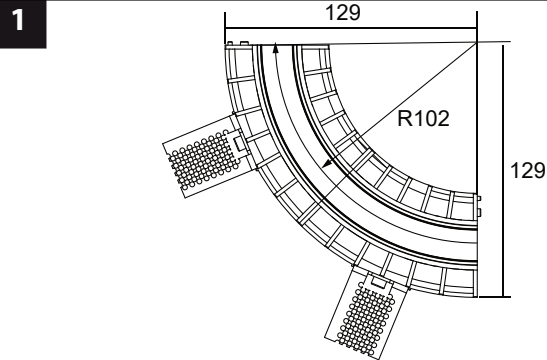
SPM20 - CORNER SET - R 90° S



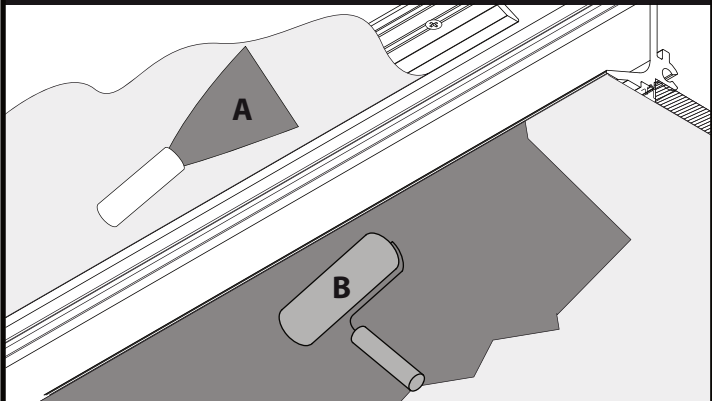
SPM20 - CORNER SET - R 90° S
23302 0040



FIXATION



PLASTER AND PAINT



MORE INFO FOR CEILING FINISHING

<https://www.deltalight.com/downloads/CeilingFinishing.pdf>

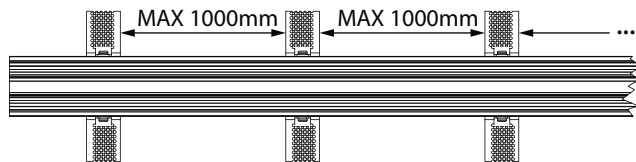


SCAN ME

SPM20 - FIXATION SET

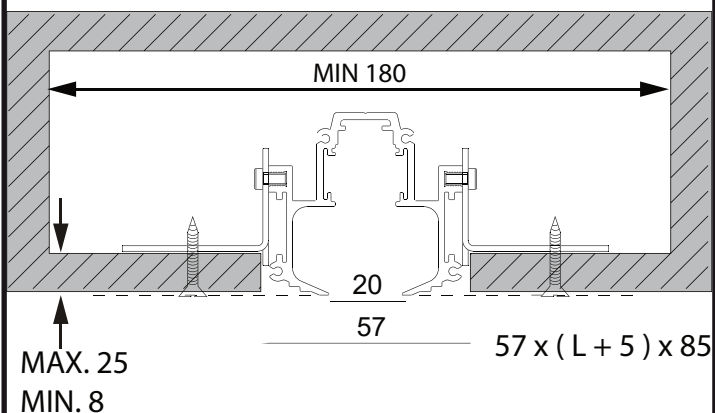
SPM20 - FIXATION SET
420 20 14 01


ACCESSORY SET
2x  / 1000mm

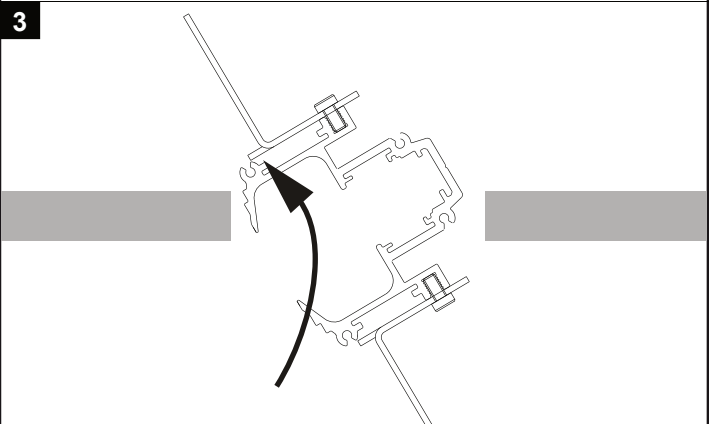
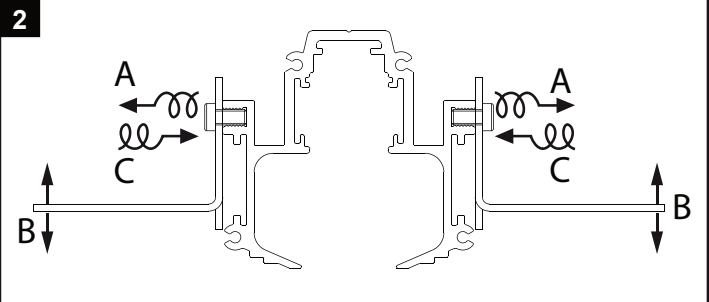
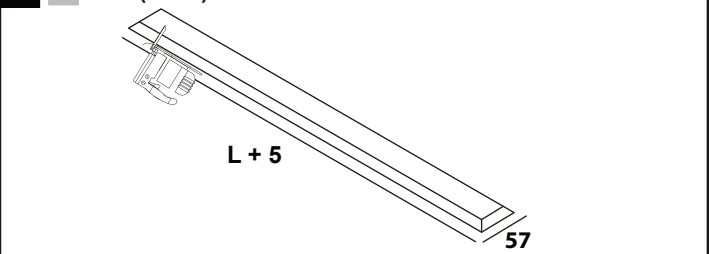


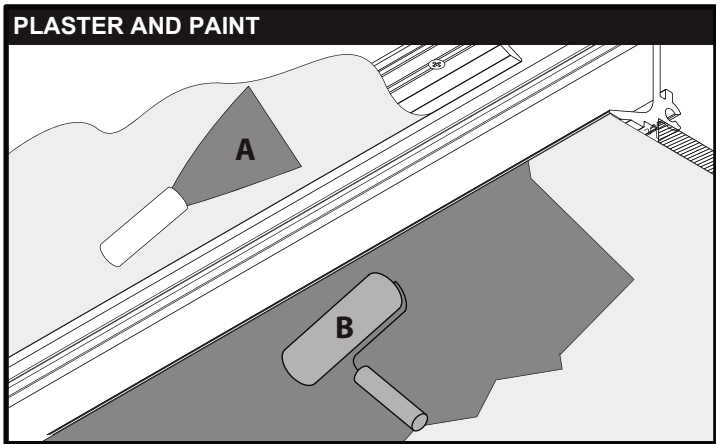
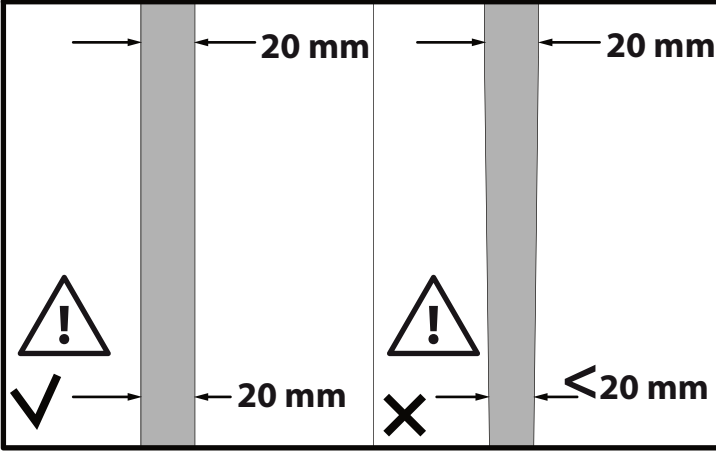
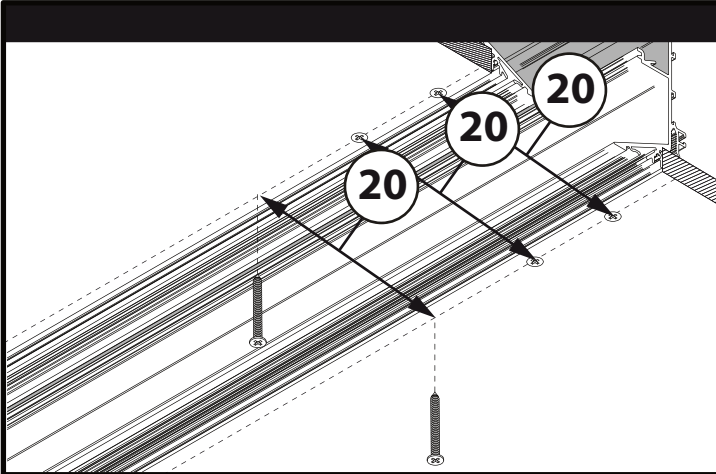
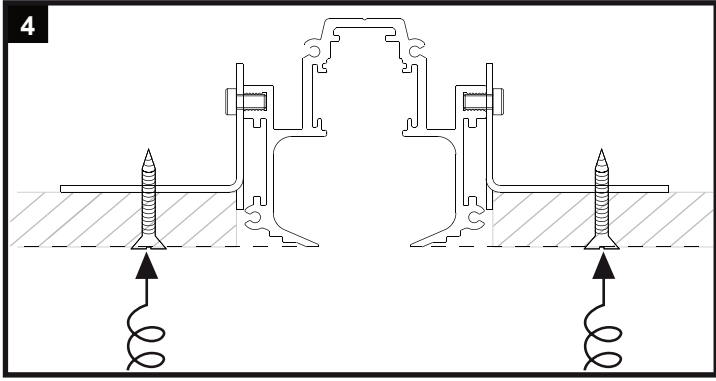
FIXATION

POSITION FOR INSTALLATION



1  57 x (L + 5) x 85 mm





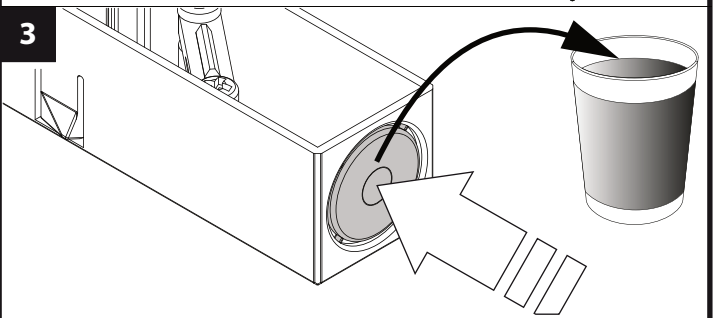
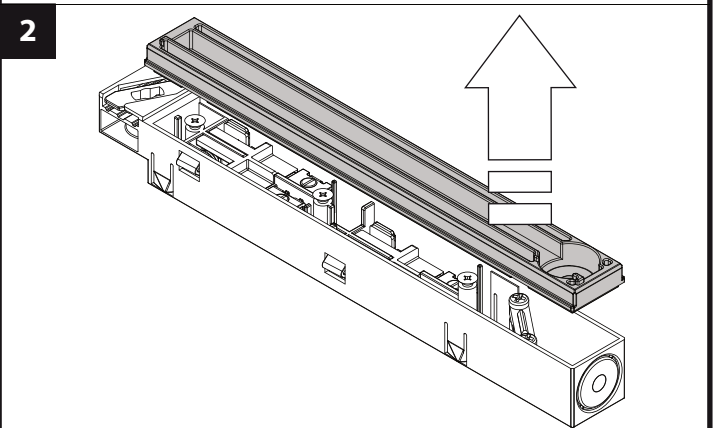
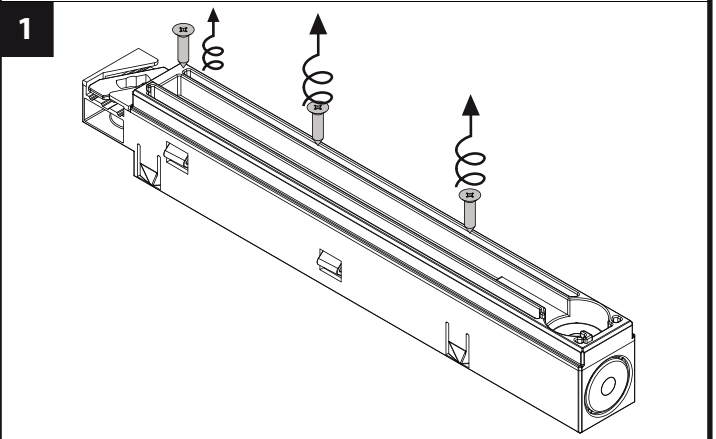
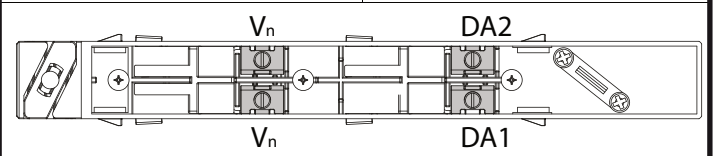
MORE INFO FOR CEILING FINISHING
<https://www.deltalight.com/downloads/CeilingFinishing.pdf>

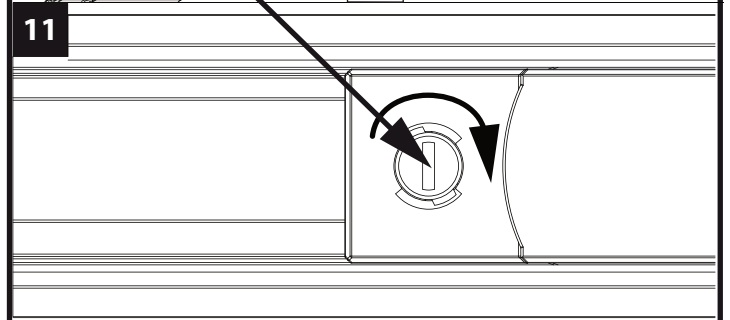
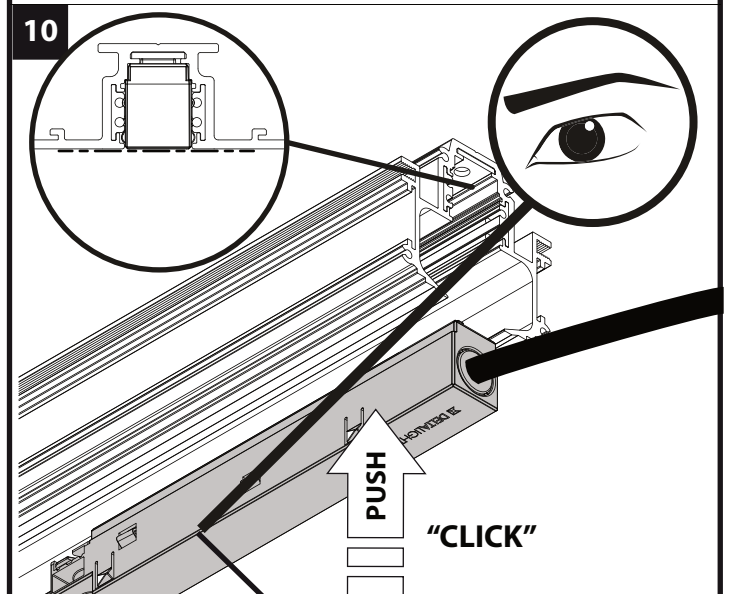
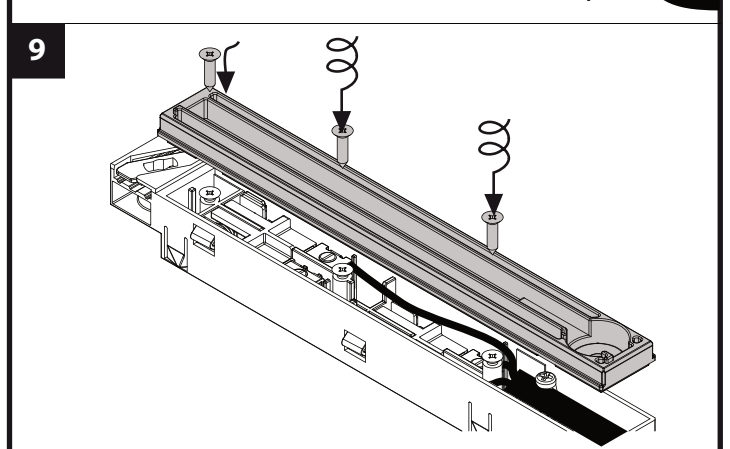
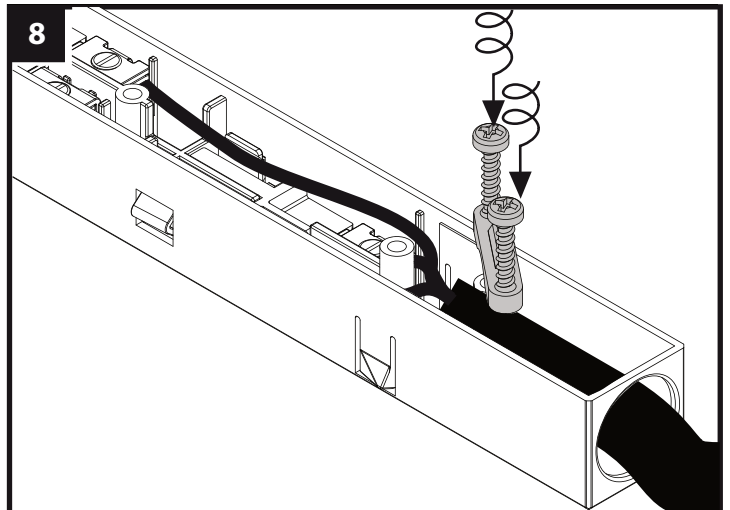
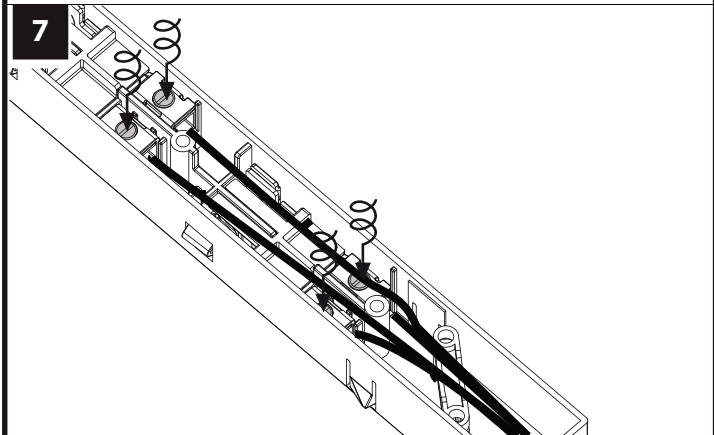
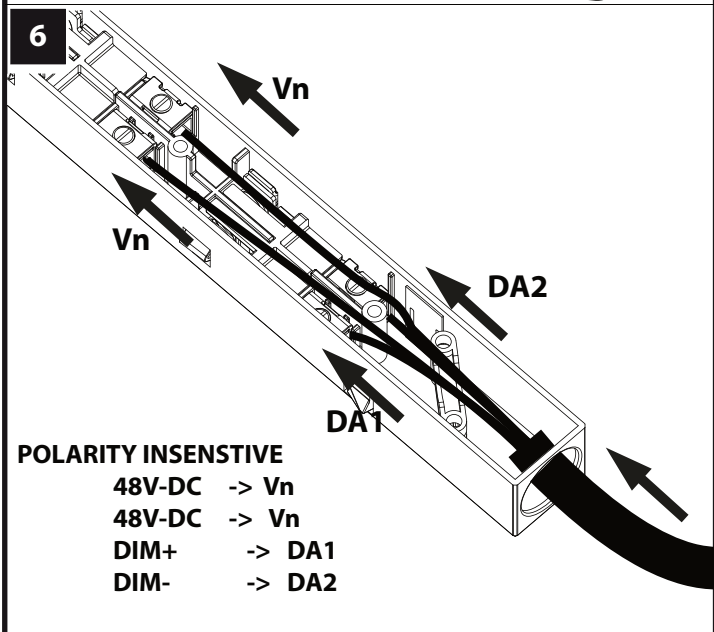
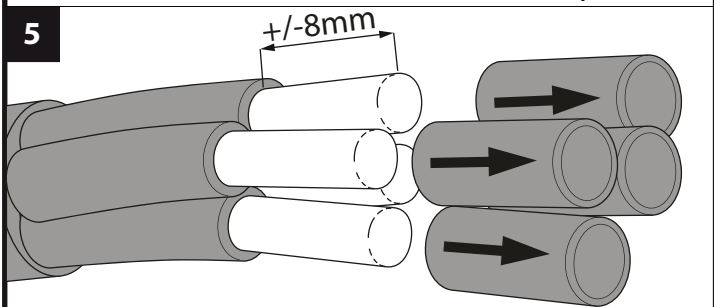
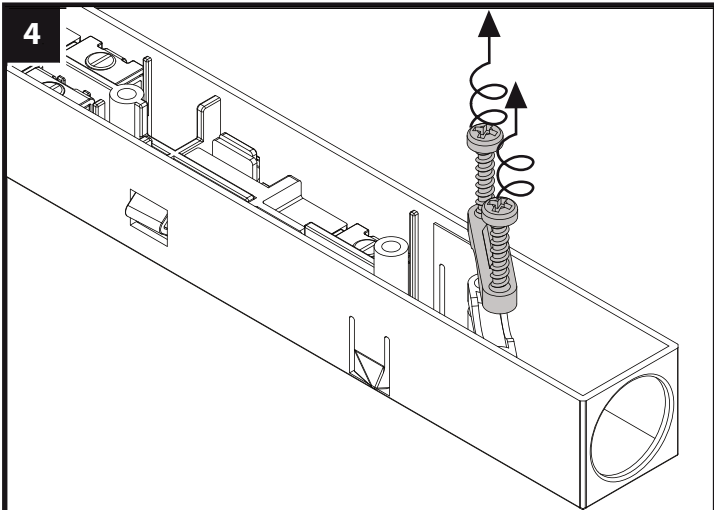


SCAN ME

SPM - SUPPLY 48V

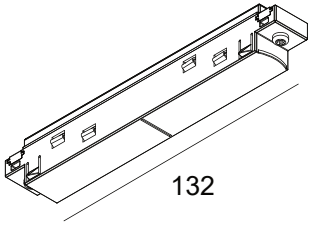
	<p>SPM - SUPPLY 48V 420 99 03</p>
	<p>48V-DC MAX. 200W / CIRCUIT MAX. 50M DA1 & DA2 : DALI CHANNELS FOR ED5 MODULES</p>



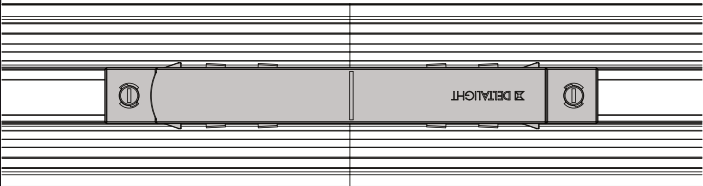


SPM - CONNECTOR 48V - 180°

SPM - CONNECTOR 48V - 180°
420 99 01



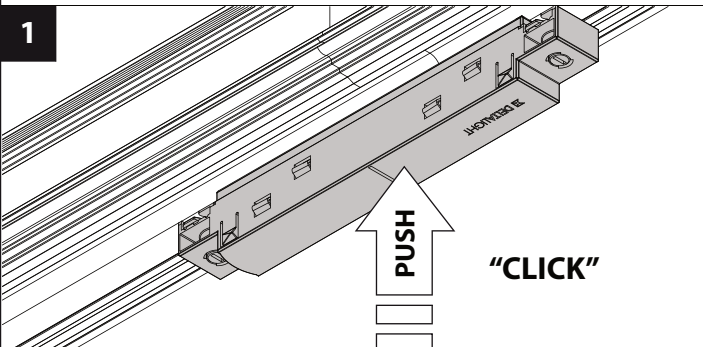
48V-DC
MAX. 200W
MAX. 50M



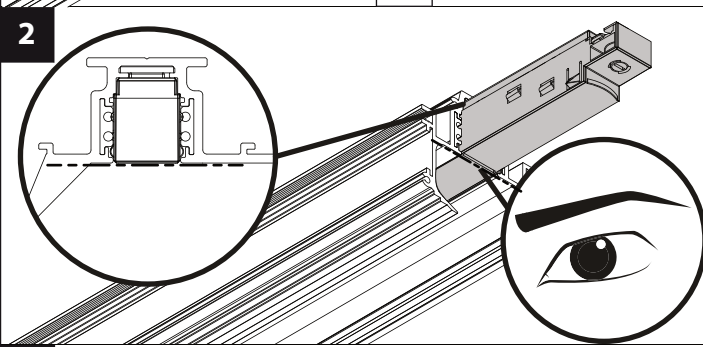
CAUTION

TO REDUCE THE RISK OF OVERHEATING AND FIRE, DO NOT BRIDGE CONDUCTORS

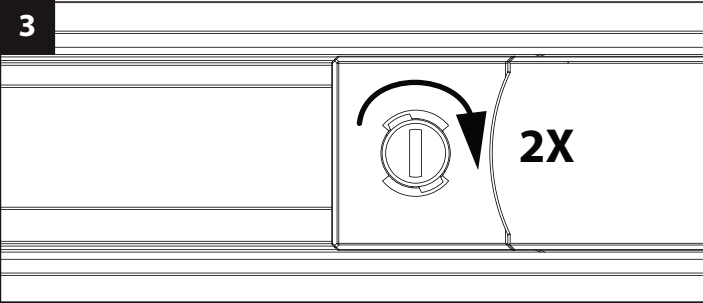
1



2

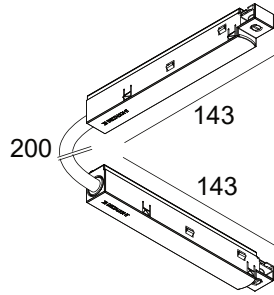


3



SPM - CONNECTOR 48V - 0-180°

SPM - CONNECTOR 48V - 0-180°
420 99 02

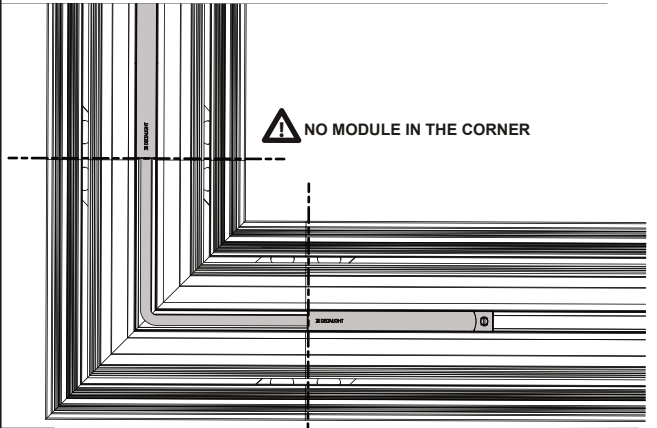


48V-DC
MAX. 200W
MAX. 50M

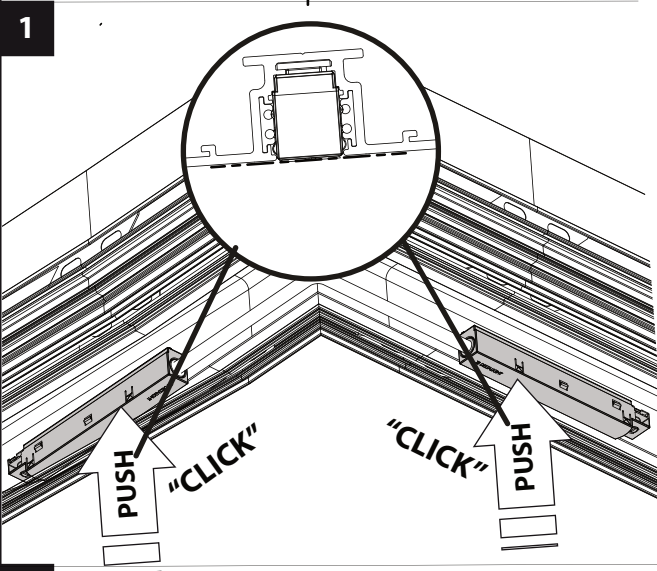


CAUTION

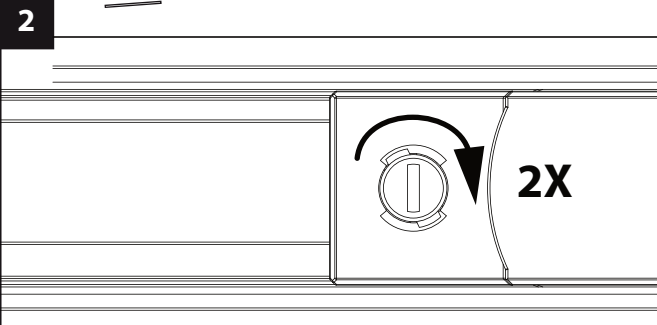
TO REDUCE THE RISK OF OVERHEATING AND FIRE, DO NOT BRIDGE CONDUCTORS



1



2



SPM20 - END CAP

SPM20 - END CAP
420 20 03 01

