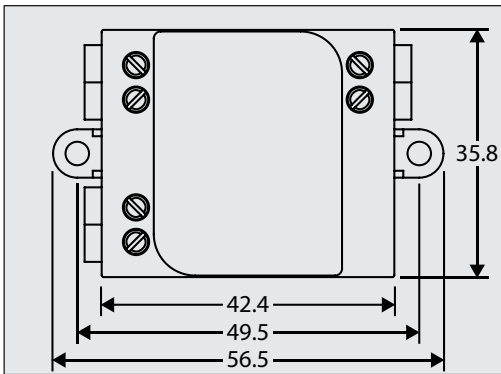
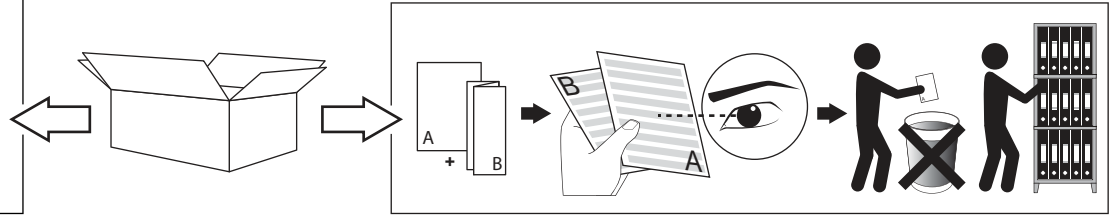


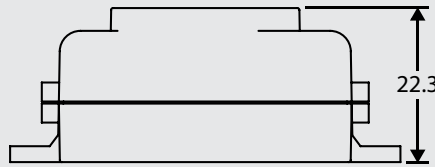
WIRELESS CONTROL DIM5

DEEL  
PARTIE  
TEIL  
PART  
PARTE  
PARTE

# A



Mounting hole diameter:  
2 x 3.5 mm



MORE INFO FOR WIRELESS DIMMING

[https://www.deltalight.com/downloads/CTRL\\_Delta\\_SUG.pdf](https://www.deltalight.com/downloads/CTRL_Delta_SUG.pdf)



SCAN ME

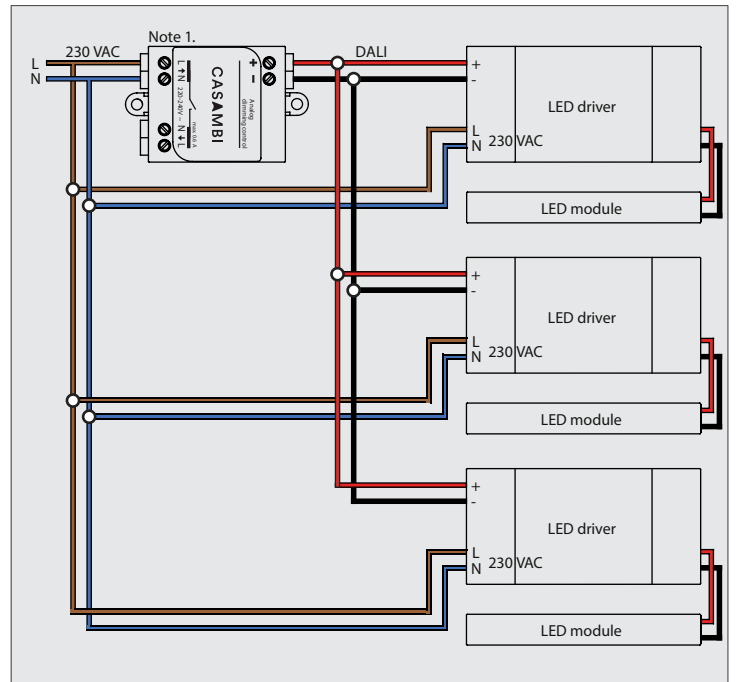
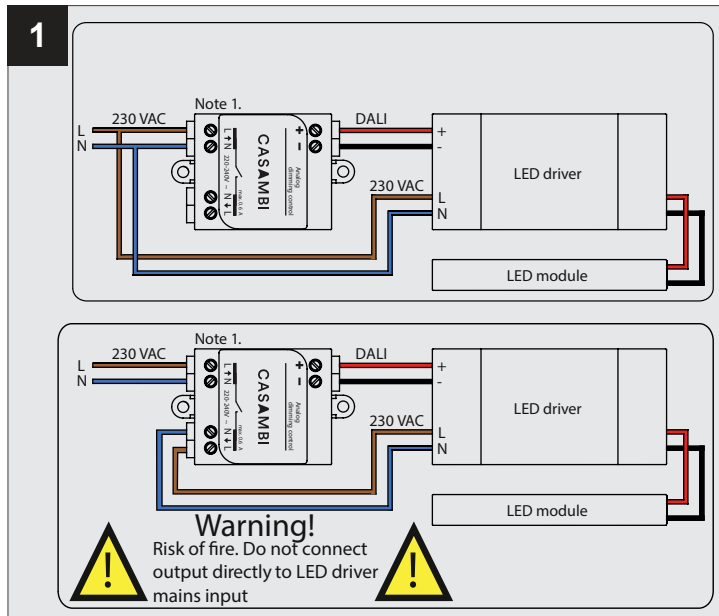
220-240V / 50Hz  
Max. 0.6A

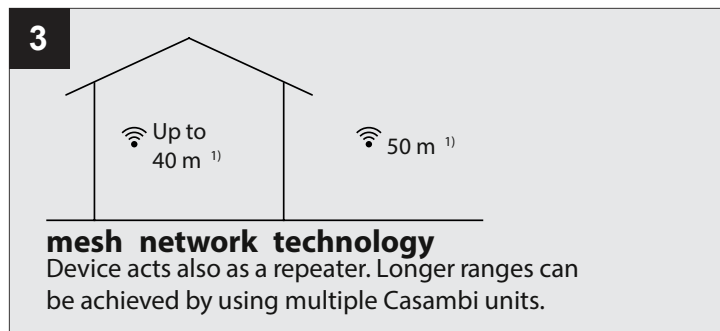
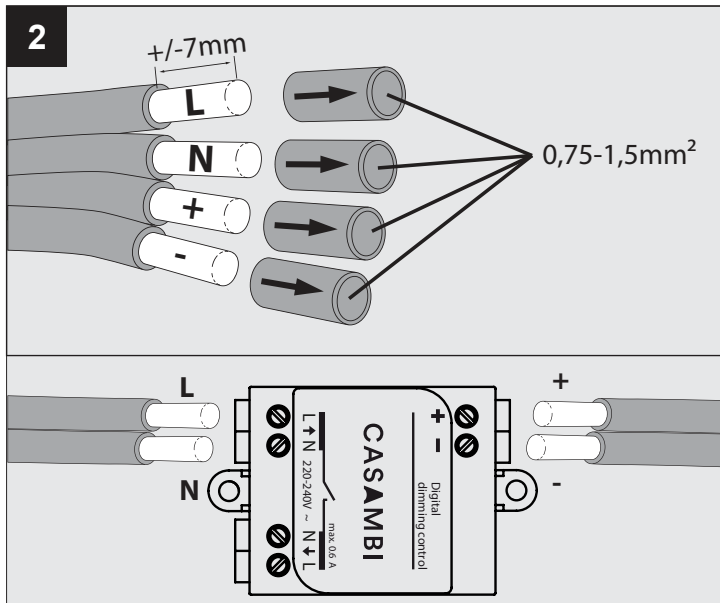


Beschermd tegen vaste voorwerpen die groter zijn dan 12 mm  
Protégé contre les objets solides de plus de 12 mm  
Geschützt gegen Festkörper größer als 12 mm  
Protected against solid objects greater than 12 mm  
Protegido contra objetos sólidos superiores a 12 mm  
Protetto contro oggetti solidi più grandi di 12 mm



Goederen zijn dubbel geïsoleerd - geen aarding nodig  
Les produits ont une isolation double et ne peuvent pas être mis à la terre  
Güter sind doppelt isoliert und müssen nicht geerdet werden  
Goods have double insulation and must not be grounded  
Los productos tienen u aislamiento doble y no se pueden conectar a tierra  
I prodotti possiedono un doppio isolamento e non devono essere collegati a terra





CASAMBI

Download on the **App Store**

ANDROID APP ON **Google play**

<sup>1)</sup> Range is highly dependant on the surrounding and obstacles, such as walls and building materials.

**TECHNICAL DATA**

**INPUT**

Voltage range: 220-240V  
 Frequency: 50Hz  
 Max.mains current: 0,6A

**RADIO TRANSCEIVER**

Operating frequencies: 2,4...2,483 Ghz  
 Maximum output power: +4 dBm

**OPERATING CONDITIONS**

Ambient temperature, TA: -20...+40°C  
 (Iout 0.6A)  
 Max. case temperature, TC : +70°C  
 Storage temperature: -25...+75°C  
 Max. relative humidity: 0...80%, non cond

**CONNECTORS**

Wire range, solid & stranded: 0,75-1,5mm<sup>2</sup>  
 14-22AWG  
 Wire strip length: 6-7mm  
 Tightening torque: 0,4Nm  
 4Kgf.cm  
 2,6 Lb-In

**MECHANICAL DATA**

Dimensions: 56,5 x 35,8 x 22,3 mm  
 Weight: 48g  
 Degree of protection: IP20 (Indoor)  
 Protection class: Built-in class 2