

Constant current independent dimmable driver
DCL(S) Series suffix DN(DALI-2+pushDIM+EnergyData+EL+CLO+corridorDIM
+DALI programmable+NFC programmable)



Features

- Support DALI-2+pushDIM mode
- **Slim shape design, can be installed through a 30mm mounting hole**
- Support EnergyData function and energy-reporting reading(DALIPart252)
- Support Luminaire data reading(DALIPart251),support diagnostics-maintenance reading(DALIPart253)
- Support advanced functions such as corridorDIM,EL,CLO
- The output current programming can be realized through the DALI interface or NFC interface
- Soft dimming and flicker-free at any brightness
- Using HPC patented technology, at any dimming level, the brightness of the lights is the same
- Standby power input<0.5W, meets the requirements of ErP certification
- High PF, high efficiency, low THD
- Screw-free and pressing type strain relief and easier to install
- Intelligent LED hot-plug protection function
- SELV and Class II design, suitable for use outside of the light
- Compliance with Zhaga Book 24/25 standards
- Compliance with CE,ENEC,UKCA,RCM,DALI-2,CCC,EL and other certifications
- IP20 protection grade, indoor use
- Nominal life-time up to 100,000 h
- 5-year guarantee

Interfaces

- DALI-2(DALI-2 DT6)
- PUSH(pushDIM,corridorDIM)

Functions

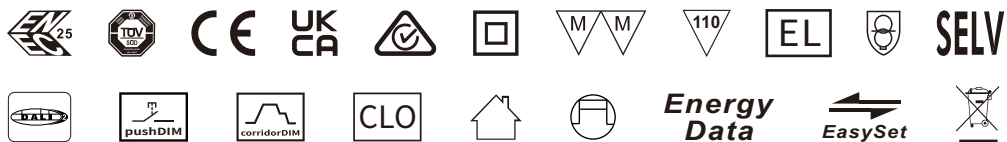
- Support DALI part251,252,253
- Support central emergency application
- Support self-contained emergency application
- Emergency lighting(EL)
- Constant light output function(CLO)
- Corridor dimming (corridorDIM)
- Programming via DALI(EasySet)
- Programming via NFC(EasySet)
- Protective features (short-circuit,no-load,overload,over temperature, hot plug-in protection)

Suitable for lights

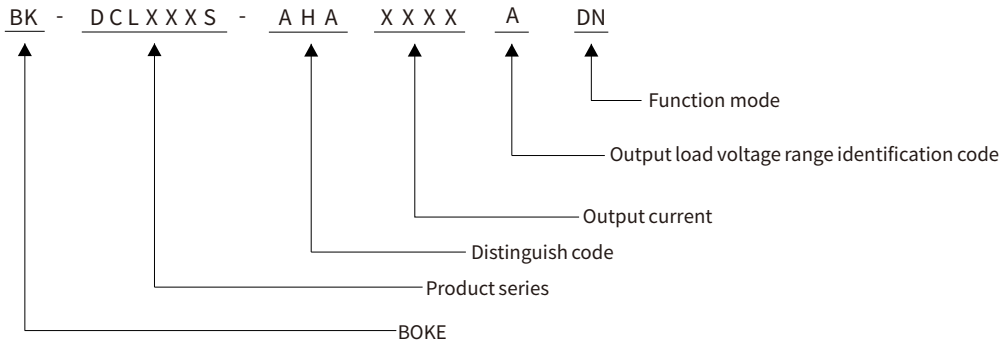
- Suitable for downlights or spotlights with **small mounting holes**

Typical applications

- LED indoor lighting
- LED office lighting
- LED commercial lighting



Model coding rules of DCL(S) series



Function list

Model	Suffix	Wired dimming		Advanced functions					Device Configuration	
		DALI-2	pushDIM	AOC	EL	CLO	EnergyData	corridorDIM	DALI interfaces	NFC interfaces
BK-DCL010S-AHA	DN	√	√	√	√	√	√	√	√	√

Model list

Model	Input voltage	Output power	Output voltage	Output current	Dimension
BK-DCL010S-AHA0700ADN	200-240VAC/DC	10W MAX.	2.5-42VDC	0.1-0.7A	L123*W23*H20mm

Technical data

Product model	BK-DCL010S-AHA0700ADN
Output parameters	
Regulation method	Constant Current
Rated output current range	0.1-0.7A,see the operating window for details
Rated output voltage range	2.5-42VDC,see the operating window for details
Rated output power	10W Max,see the operating window for details
Output current adjustment	EasySet Programming
Output current ripple(typ.)	±5%(100Hz)
Output current accuracy	±5%
Linear regulation	±5%
Load regulation	±5%
No load output voltage	59VDC
Flicker-free(typ.)	Flickering percent(IEEE 1789)=0.161%(100Hz), Pst LM = 0.025, SVM = 0.004, (The above parameters are obtained from testing the panel lights)
Input parameters	
Rated input voltage range	200-240VAC 200-240VDC
Input voltage range	180-264VAC 180-264VDC
Input voltage shock	<380 V AC
Input current	<0.08A (Rated input voltage)
Input frequency	0/50/60Hz
Input PF/Input DF(typ.)	PF: 0.92C,DF:0.94 , see the electrical values below for details
Input THD(typ.)	17% , see the electrical values below for details
Efficiency(typ.)	85% , see the electrical values below for details
In-rush current(typ.)	0.785A peak ,41us duration(50 % Ipeak), see the description below for details
Start/Switchover/Turn off	<0.75s(AC start),<0.75s(DC start),<0.3s(AC/DC switchover),<0.5s(Turn off)
Switching cycles	> 100,000 switching cycles
Power consumption	Full load(Pin):11.8W, No load(Pno):N/A, On stand-by(Psb) : <0.5W, Network stand-by(Pnet) : N/A
Safety	
Withstand voltage	I/P-O/P(LED):3750V AC, I/P-DALI: 1500V AC, O/P-DALI: 1500V AC.
Mains surge capability	L-N:1KV(Performance criterion:B)
Leakage current(typ.)	0.47mA
Isolation resistance	I/P-O/P:100MΩ/500Vdc/25°C/70%RH
Control interface	
DALI dimming port	Voltage range: 9.5-22.5V, typical 16V, interface current consumption: 1.8mA
pushDIM dimming port	Voltage range: 180-264V 47/63Hz
1-10V 3in1 dimming port	N/A
Auxiliary power supply	N/A
Dimming range	0.1-100%(minimum current:0.7mA)
Dimming drive mode	AM(amplitude modulation)
Emergency support	
Central emergency system	Supported
Self-contained emergency	Supported
Environment & Life time	
Operating temperature	Ta=-20-50/60°C,see the operating temperature for details
Case temperature	Tc=85°C
Operating humidity	5-85% RH, non-condensing
Storage temp./humidity	-40-80°C, 5-85% RH, non-condensing
IP grade	IP20
MTBF	500,000H,MIL-HDBK-217F(25°C)
Life-time	Nominal life-time up to 100,000 h, see the description below for details
Vibration resistant	10~500Hz,5G 12min./1cycle,period for 72min. each along X,Y,Z axes
Acoustic Noise	<25dB(30cm, Normal operation)
Environmental protection	RoHS
Certifications and standards	
Certification	CE, ENEC, UKCA, RCM, DALI-2, CCC, EL
Safety	GB/T 19510.1,GB/T 19510.213, EN61347-1, EN61347-2-13, EN62384
EMC	GB/T 17743 , GB17625.1, EN55015, EN55015, EN61000-3-2 , EN61000-3-3, EN61000-4-2,3,4,5,6,8,11, EN61547
DALI-2	IEC 62386-101(DALI-2), IEC 62386-102(DALI-2), IEC 62386-207(DALI-2), DALI part251,252,253
EL	Compatible IEC 61347-2- 13 Annex J, compatible with EN 60598-2-22 and EN 50172
RF	N/A

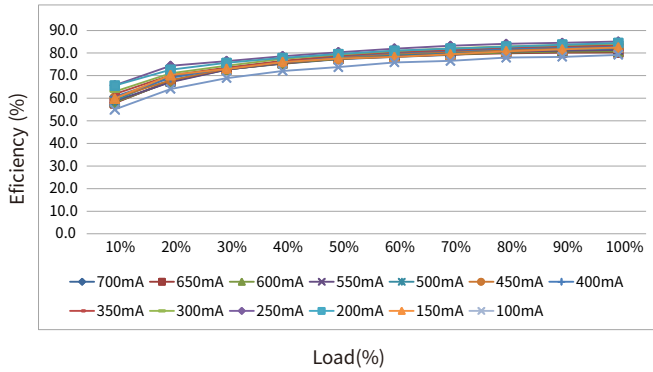
Remarks

- 1.By default, all parameter are measured at 230VAC input, 50Hz, full load and 25°C of ambient temperature.
- 2.The driver can not be installed inside the light. when the driver is used with the light, the EMC of the whole light needs to be tested.

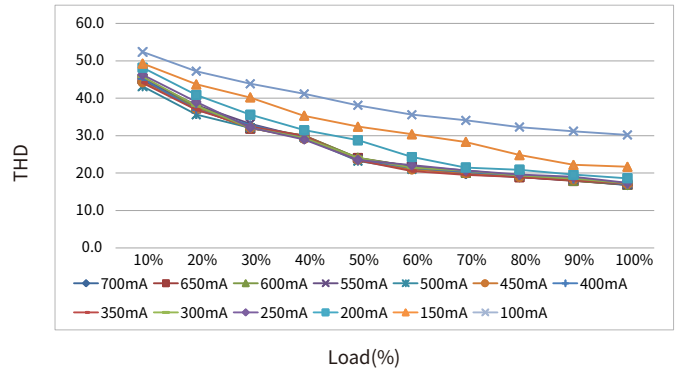
Electrical values

BK-DCL010S-AHA0700ADN

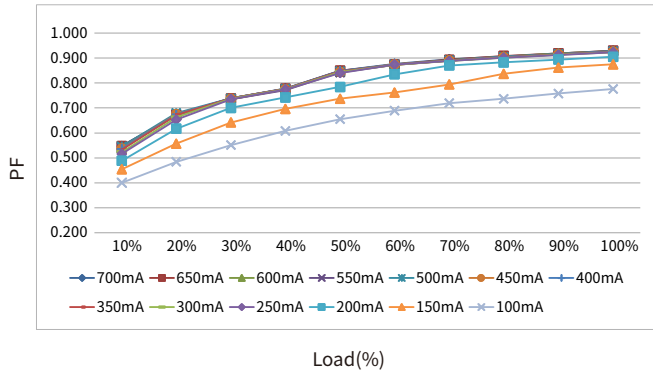
Efficiency vs load



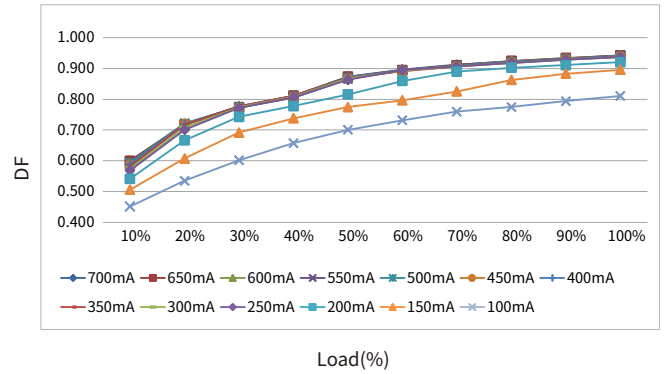
THD vs. Load



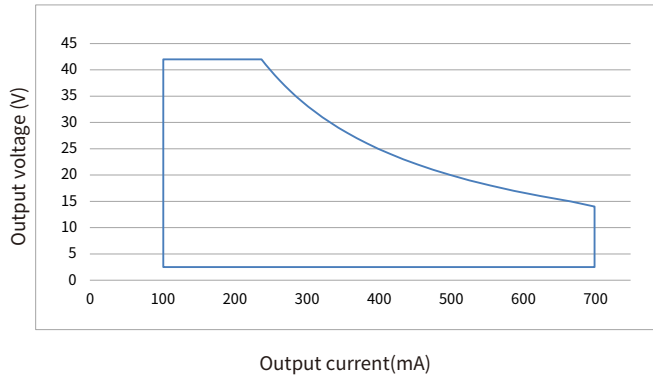
Power factor vs. Load



Displacement factor vs. Load



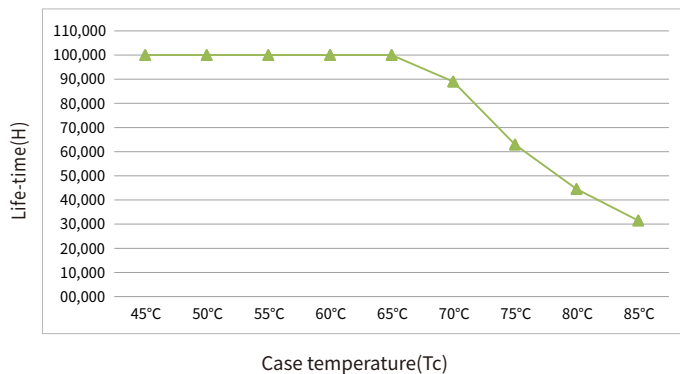
Operating window



- Output voltage x output current = output power
- The minimum current step is 1mA, the minimum voltage step is 1V, the voltage range is 2.5-42V, the current range is 100-700mA, and the voltage and current can be set arbitrarily under the premise that the output power does not exceed 10W.

Expected life-time

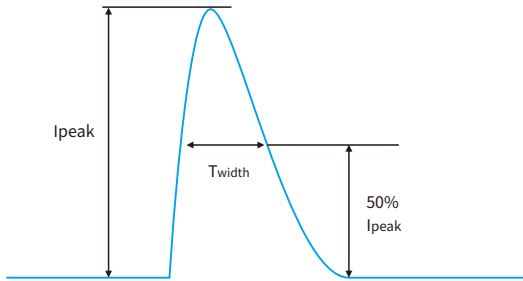
Life-time vs. case temperature



- The life-time of the LED driver is shown in the figure above (calculated based on the 90% survival rate).
- The relation of tc to ta temperature depends also on the luminaire design.

Surge

Model	Ipeak	Twidth	Condition	Relative number of MCB/pcs														
				B10	B13	B16	B20	B25	C10	C13	C16	C20	C25	D10	D13	D16	D20	D25
BK-DCL010S-AHA	0.785A	41us	AC 230V, Full load, Cold start, $T_a \leq 30^\circ\text{C}$, MCB is not installed side by side	151	197	242	303	378	151	197	242	303	378	151	197	242	303	378



Remarks

- The number of drives mounted under different MCBs in the table is the maximum value. Please do not exceed this number during installation.
- Calculation uses typical values from ABB series S200 as a reference.
- Different brands and models of miniature circuit breakers, the number of drives mounted will be slightly different.
- If the ambient temperature of the MCB installation exceeds 30°C or multiple MCBs are installed side by side, the number of drives mounted will be reduced and the calculation needs to be recalculated.
- Electrician's usually consider Type B for household lighting and Type C for commercial lighting application.

Functions

Output short-circuit behaviour

- Output short-circuit will not damage the driver. After removing the short circuit fault, the driver will automatically resume output.

Output no-load operation

- Output no-load will not damage the driver. Please turn off the driver first if you need to connect the LED load.

Output overload protection

- The LED driver turns off the output if the output voltage range is exceeded. The output will be activated again after restart the LED driver .

Output hot plug-in protection

- This function is used to prevent LED light that are far below the driver's no-load voltage burnout when hot plugged into a powered driver output.
- This function can be enabled or disabled through the programming interface. If enabled, when the LED light is connected to the powered driver, the LED light will not light up, you can restart the drive to restore normal. If disabled, when the LED light is connected to the powered driver, the LED light will turn on or off according to the current brightness level.
- Please refer to the parameters configure in the "Device configuration" section for information on whether the default factory settings are enabled.
- Factory default Enabled or not please check the "Device configuration" section .

- Note:

- When the hot plug-in protection is enable, the following applications may not achieve the expected effect:
1. When the output of the driver is connected to the color temperature switch: When the switch is used to change the color temperature, the hot plug-in protection of the driver will be triggered, and the LED will not be lit.
 2. When the LED driver is used in conjunction with a self-contained (independent) emergency control device: Use the self-check test switch of the emergency control device to test the emergency function and when exiting the emergency mode, the driver's hot plug-in protection will be triggered and the LED will not be lit.
- The above two application drivers should turn off the hot plug-in protection function in order to achieve good working results.

Output over temperature

- When the operating temperature exceeds the over temperature protection point inside the power supply IC, the power supply enters protection state such as output derating, output hiccup or output shutdown. After the external temperature is normal, restart and resume operation.

Driver restart method

- There are two ways to restart the driver:
- Through the AC input: disconnect the AC of the driver and power it again.
 - Through dimming interface. DALI: send "OFF" command first, then send "MAX" command. pushDIM: short press pushbutton two times, then long press pushbutton.

Adjustable output current (AOC)

- The output current of the driver can be adjusted within a certain range, can be selected through the EasySet configuration software.

Corridor dimming (corridorDIM)

- Please see the "corridorDIM dimming" section.

Constant light output (CLO)

- The luminous flux of a LED decreases constantly over the life-time.
- The CLO function ensures that the emitted luminous flux remains stable. For that purpose the LED current will increase continuously over the LED life-time.
- In EasySet configuration it is possible to select a start value (in percent) and an expected life-time. The LED driver adjusts the current afterwards automatically.

Emergency lighting (EL)

- The driver works normally under DC input.
- When the driver is applied in DC input, the positive pole of the DC cable should be connected to the ACL/DC+ terminal, and the negative pole of the DC cable should be connected to the ACN/DC- terminal. If the connection is reversed, the driver will not be damaged, but it will affect the EL function normal work.
- The output response action after DC input can be set through the EasySet configuration software. Setting 1: When DC input, the output of the driver remains unchanged, and the dimming function responds normally. Setting 2 (default): When DC input, the output of the driver jumps to the set brightness of 15%, and the dimming function is invalid.

Configuration programming (EasySet)

- The programming configuration of the driver is realized using the BOKE EasySet programming suite and through the driver's DALI interface or NFC interface.
- Please see the "Device configuration" section.
- More information about the EasySet programming suite can be found at www.bokedriver.com.

Insulation between circuits

Isolation	Input	Output	Case	DALI	PUSH
Input	-	Double	Double	Basic	-
Output	Double	-	Basic	Double	Double
Case	Double	Basic	-	Double	Double

Label

BK-DCL010S-AHA0700ADN

BOKE Dimmable Constant Current LED Driver
 (LED控制装置)
 MODEL (型号): BK-DCL010S-AHA0700ADN
 Input (输入): 200-240V \pm 10%/50/60Hz 0.08A Max. λ :0.4C-0.9C
 Output (输出): 2.5-42V \pm 100-700mA 10W Max. 59VDC Max.
 For LED Modules use only. MADE IN CHINA(中国制造)

Tc	Po(W)	Io(mA)
50°C	≤10	≤700
60°C	≤7.2	≤600

EasySet area
 LED+
 LED-
 wire prep. 0.5-1.0mm

25
 TÜV
 CE
 UK
 CA
 SELV

For Australia and New Zealand, the marking label with

BOKE Drivers Co.,Ltd.
 Address: 2nd and 3rd Floor, No.51, Xihuan 5th Road, South District, 528455 Zhongshan City, Guangdong, CHINA

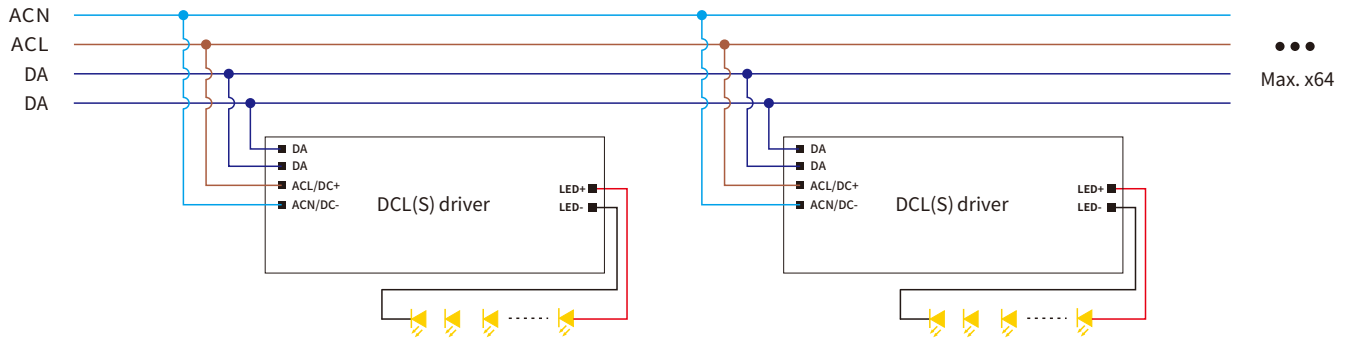
Energy Data EasySet
 pushDIM
 corridorDIM
 CLO
 EL
 110V

Operating temperature & output current

Tc	Ta	Po(W)	Io(mA)
85°C	50°C	≤10	≤700
	60°C	≤7.2	≤600

DALI dimming application

Wiring diagram



Switch to the DALI dimming mode

- After installation according to the wiring diagram of DALI dimming application, the driver will automatically switch to the DALI control mode after receiving any DALI command.

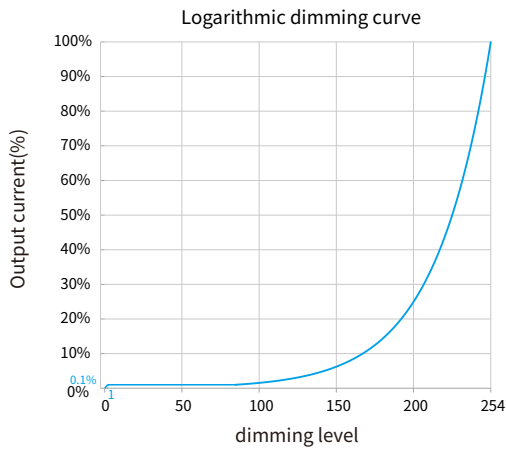
Remarks:

- Standard DALI control line voltage range: 9.5V to 22.5V ,type 16V.
- The two DALI control lines polarity-reversible.
- Max. 64 DALI drivers per DALI control line.
- The maximum distance length of the DALI control line is 300m at $2 \times 1.5\text{mm}^2$.
- DALI bus can be wired together with any mains voltage cables, but separate wiring is recommended.

Please refer to the table below

Cable size	Distance
$2 \times 0.50\text{mm}^2$	max.100m
$2 \times 0.75\text{mm}^2$	max.150m
$2 \times 1.00\text{mm}^2$	max.200m
$\geq 2 \times 1.50\text{mm}^2$	max.300m

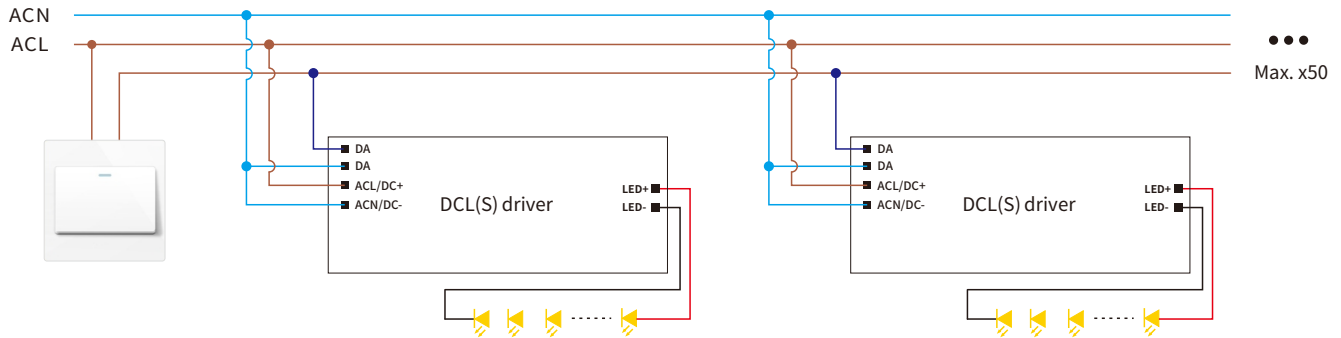
Dimming curve



Remarks: The dimming curve can be selected by DALI configuration. The default is logarithmic dimming curve.

pushDIM dimming application

Wiring diagram



Switch to the pushDIM dimming mode

- After installation according to the wiring diagram of pushDIM dimming application, short press the pushbutton 5 times quickly within 3s , the driver will automatically switch to the pushDIM dimming mode.
- After switch to the pushDIM control mode, CorridorDIM mode will be automatically closed.

Remarks:

Max. 50 drivers per pushDIM control line.

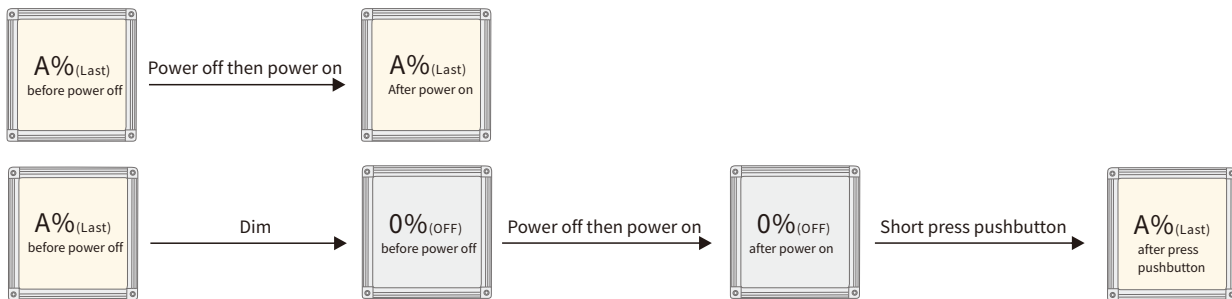
Turn on or turn off:short press pushbutton for 0.2-1s.

Dimming: long press pushbutton for 1-5s.

Power on status: after power on,the light state will be the same as the lighting on state.

If the light is on before power on,the light will be on after power on again,brightness will be the same as the last lighting on brightness.

If the light is off before power off,the light will be off after power on again,short press the pushbutton,then the light will be on,the brightness will be the same as the last brightness.



Multiple lights synchronize control operation

method 1:

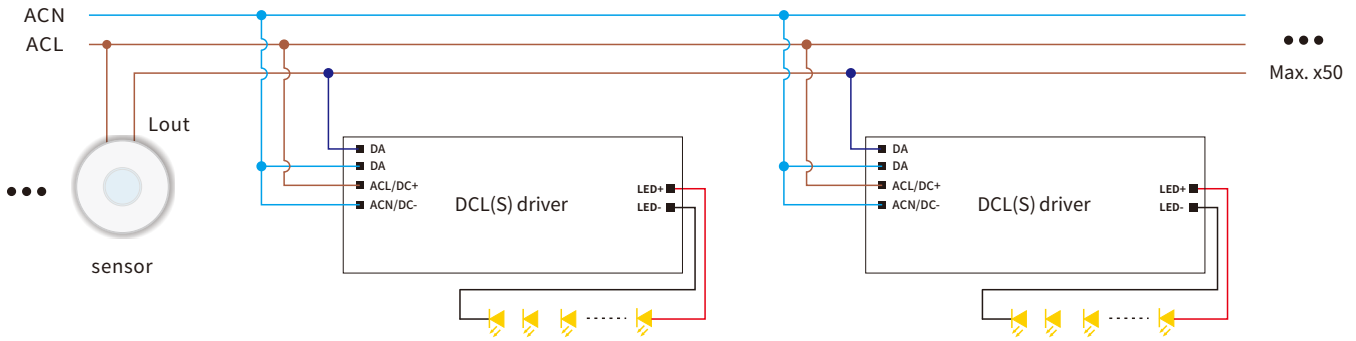
- Step 1:long press the pushbutton,confirm each light is on.
- Step 2:short press the pushbutton,confirm each light is off.
- Step 3:long press the pushbutton,confirm each light is from darkest to brightest and all the lights are synchronous.

method 2:

- Long press the pushbutton 15s,all lights output to the brightest state.

corridorDIM dimming application

Wiring diagram



Switch to the corridorDIM dimming mode

- Method 1: Switch by sensor.

After installation according to the wiring diagram of corridorDIM dimming application, you can use the following two methods to switched.

Method 1: Keep the movement in the effective sensing area for 5 minutes, the corridorDIM dimming function of the driver will be switched and light up 100% (under the default setting).

Method 2: Switch by Hold-time

Set the hold-time of the sensor to more than 5 minutes. When the motion sensor detects a person and turns on the output for 5 minutes, the corridorDIM dimming function will be switched and the light will be on 100% (Default), finally restore the hold-time that the sensor actually needs.

-Method 2: Switch by normal switch

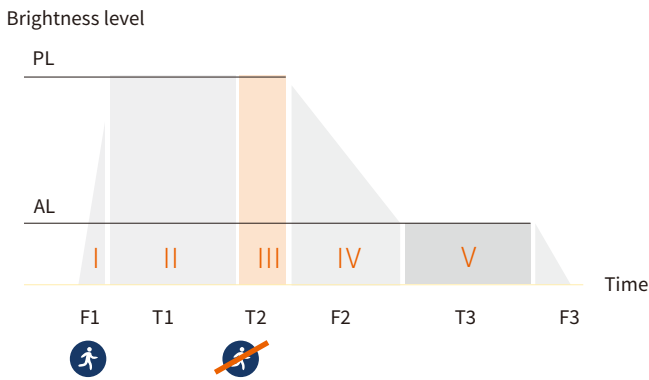
After installation according to the wiring diagram of the corridorDIM dimming application, first replace the sensor with a normal switch, and then turn on the normal switch for 5 minutes, and the driver will automatically switch to corridorDIM dimming mode, then remove the normal switch and replace it with the sensor.

- After switch to the corridorDIM dimming mode, the pushDIM dimming mode will be automatically deactivate .

Remarks

- During normal working,It is recommended to set the hold-time of the motion sensor to the minimum.
- Need to use a motion sensor with AC switch.

corridorDIM working process

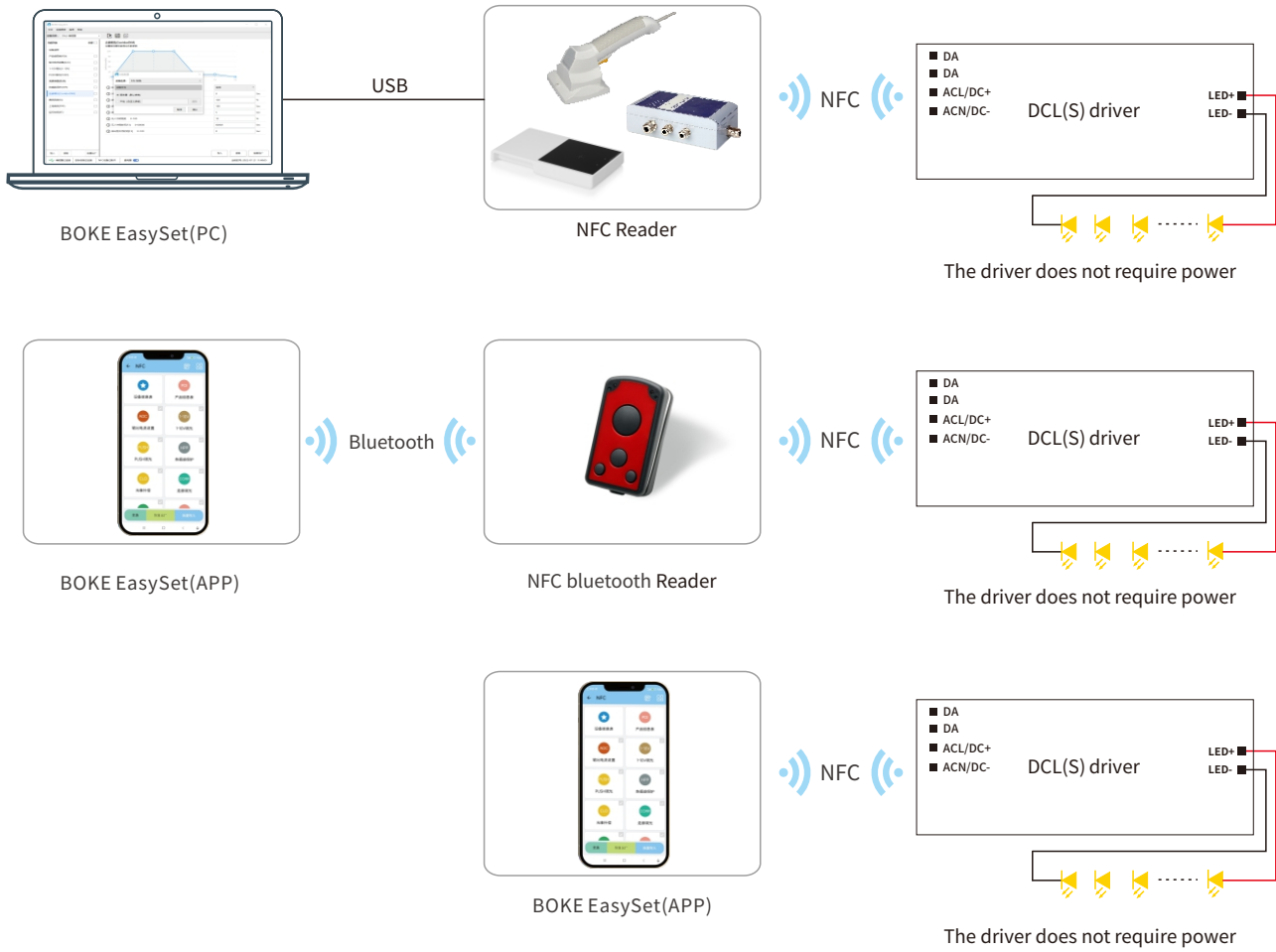


Name	Symbol	Factory setting	Settable range
Fade-in time	F1	1s	0-100s
Presence level	PL	100%	0-100%
Hold-on time	T1	By sensor setting	
Run-on time	T2	180s	0-60000s
Fade-out time	F2	5s	0-100s
Absence level	AL	10%	0-100%
Stand-by Time	T3	unlimited	0-59999s,60000s(unlimited)
Fade-off time	F3	0s	0-100s

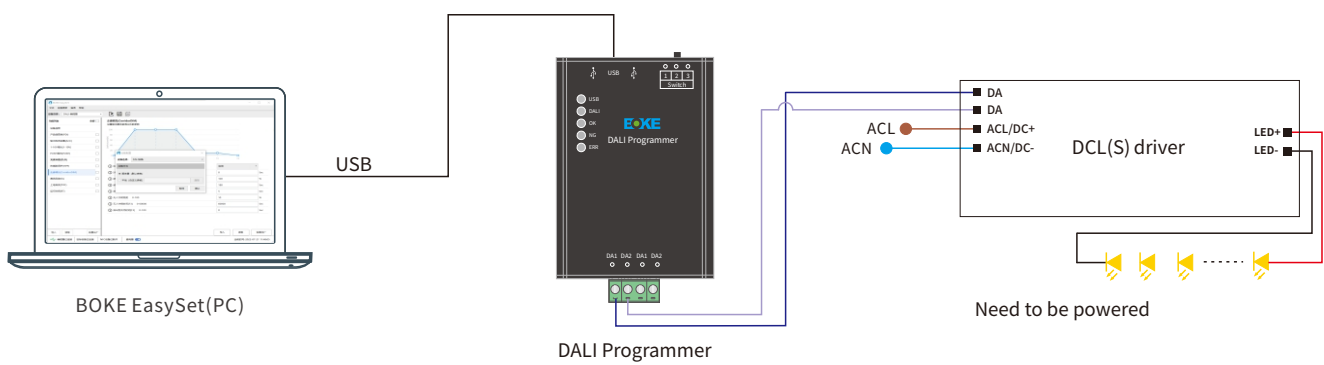
- The parameters of corridorDIM can be set through the configuration tool.
- corridorDIM is not activated by default.

Device configuration

Optional 1:



Optional 2:



Software download(PC&mobile)



PC:Windows7/Windows10/Windows1132bit/64bit;
 Mobile:Androidsystem≥6.0, iossystem≥14.0.

Device configuration

Configure tools and software

Type	Name	Brand	Name	BOKE EasySet minimum version	
				PC	APP
Programmer	NFC desktop Reader	FEIG	CPR30+	V1.1.0	-
	NFC handheld Reader	FEIG	ID ISC-PRH101-USB	V1.2.2	-
	NFC Bluetooth Reader	FEIG	ID ECCO Smart HF-BLE	-	V1.0.0
	NFC batch Reader	FEIG	ID ISC.LR1002-E	V1.2.3	-
	DALI programmer	BOKE	BK-CS01-SDL	V1.0.0	-
Software	PC Software	BOKE	BOKE EasySet	V1.0.0	-
	APP	BOKE	BOKE EasySet	-	V1.0.0

Parameters configure

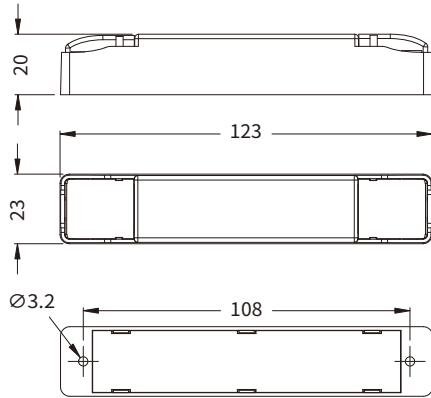
Configuration items	Factory settings	Parameter configuration	Read/Wirte
Product information	-	NO	Read Only
Adjustable output current(AOC)	Activated	YES	Read/Wirte
PUSH dimming(pushDIM)	Activated	YES	Read/Wirte
Corridor dimming(corridorDIM)	Activated	YES	Read/Wirte
Emergency lighting(EL)	Activated	YES	Read/Wirte
Power-on fadeing(POF)	Deactivated	YES	Read/Wirte
Constant light output(CLO)	Deactivated	YES	Read/Wirte
Hot plug-in protection(HPP)	Deactivated	YES	Read/Wirte
Run-time(RT)		NO	Read Only
DALI Address(DA)	Activated	YES	Read/Wirte
DALI basic parameters(DP)	Activated	YES	Read/Wirte
DALI scene setting(DS)	Activated	YES	Read/Wirte
Other parameters		YES	

Note: The default factory mode of emergency lighting is derated mode, and the emergency brightness is 15%

Mechanical Specification

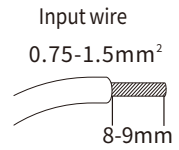
Size(Unit:mm)

DCL010S



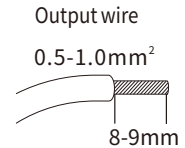
INPUT

Numbering	function	colour
1	DA	grey
2	DA	grey
3	ACL/DC+	grey
4	ACN/DC-	grey



OUTPUT

Numbering	function	colour
1	LED+	red
2	LED-	black



Installation note

Hot plug-in

- Hot plug-in is not supported due to residual output voltage of > 0 V.
- If a LED load is connected the device has to be restarted.
- Restart can be achieved by re-powering the driver or executing a on/off command (action) through the control interface.

Installation requirements

- The driver should be installed in a dry, acid-free, oil-free, fat-free environment.
- The installation ambient temperature of the driver shall not exceed the value of Ta at any time.
- The temperature of the mounting surface of the driver should be lower than the temperature of Ta.
- The driver should keep a certain distance from the heating stuff (such as the lamp radiator).
- If the driver is used externally (it needs to be used with the power end cover), the installation of the driver should also meet the following conditions:
 - 1.The driver should be a certain distance between the drives, as shown in Figure 1.
 - 2.The driver keeps a certain distance from surrounding objects, as shown in Figure 2.

Wiring guidelines

- All connections must be kept as short as possible to ensure good EMI behaviour.
- Mains leads should be kept apart from LED Driver and other leads (ideally 5-10 cm distance).
- Max. length of output wires is 2m.
- Incorrect wiring can damage LED modules.

Replace LED module

1. Mains off
2. Wait more than 5 seconds
3. Remove LED module
4. Connect LED module again

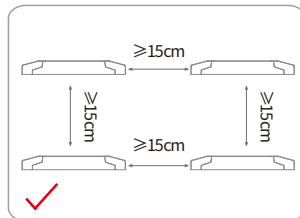
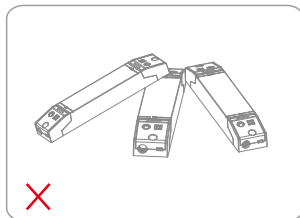


Figure 1

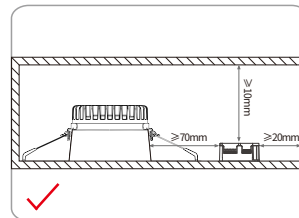


Figure 2

Packaging



Product



20pcs/Box



20pcs×9boxes=180pcs/CTN

Model	Product size	Weight	Box size	Carton size	Qty/carton	N.W	G.W
DCL010S-AHA	L123*W23*H20mm	48g	L220*W127*H53mm	L410*W250*H190mm	180pcs	8.64KG	10.1KG

Additional information

1. The life and MTBF of the product are for reference only, and do not represent a warranty statement.
2. For more information, please send an email to info@bokedriver.com.