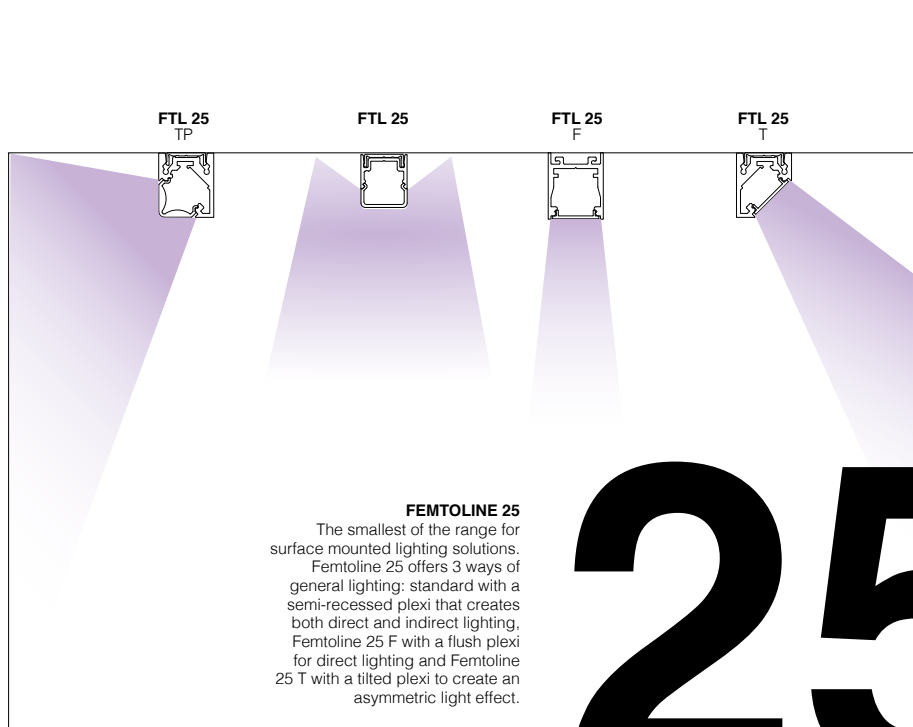


PRO

Multifunctional in use, the Femtoline profiles can be used in both interior and exterior lighting concepts. The ultra-minimalistic design and extensive options in flexible RGB, tunable white, warm and cold white LED allow you to create endless lines of light, either recessed, surface or pendant mounted. The polycarbonate that closes the profile guarantees a pleasurable light effect and unifies single led dots to one continuous line.

The range of Femtoline profiles is very extensive, with each family member having its own specific design and application area. Small or wider profile design, down or down-up lighting, wall, ceiling or floor mounted, flush or tilted plexi, ... the Femtoline family offers a solution to any lighting problem.

[www.detalight.com/femtoline](http://www.detalight.com/femtoline)



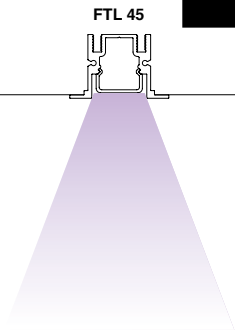
**FEMTOLINE 25**

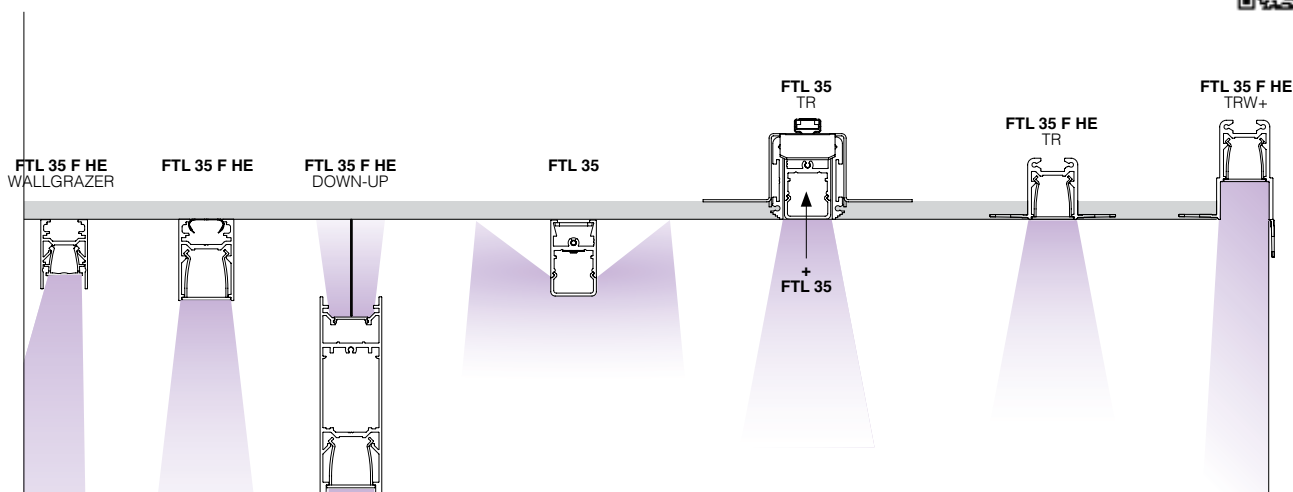
The smallest of the range for surface mounted lighting solutions. Femtoline 25 offers 3 ways of general lighting: standard with a semi-recessed plexi that creates both direct and indirect lighting, Femtoline 25 F with a flush plexi for direct lighting and Femtoline 25 T with a tilted plexi to create an asymmetric light effect.

25  
45

**FEMTOLINE 45**

The recessed solution. Femtoline 45 complements the Femtoline 25 range in applications that allow recessed installation.





# 35 W

### FEMTOLINE 35

The most versatile of the range. Similar as with Fentoline 25, one can opt for direct lighting with Fentoline 35 or a more indirect general lighting with Fentoline 35 F. Furthermore, Fentoline 35 can also be used within the trimless Fentoline 35 TR profile, creating a black cove filled with strokes of light. Fentoline 35 TR and 35 TRW+ are meant as cove lighting to create contours of light around a room, and as a pendant for down or down-up lighting, one can opt for the straightforward Fentoline 35 F HE.

As diverse applications ask for diverse optics, Fentoline 35F HE comes in 3 different optical finishes: sandblasted for general lighting, prismatic for task lighting and our LGC (Low Glare Control) extrusion that avoids direct interaction between LED and the human eye when looking at it from aside. Dedicated to enhance structured vertical surfaces, Fentoline 35 WG can be used as a wallgrazing mad-to-measure solution for indoor projects.

### FEMTOLINE W

The wall mounted solution. Fentoline W is a very slim and multifunctional LED profile, which can be used in both interior and exterior lighting concepts. This wall mounted profile can be used for either up- or downlight, creating a cosy wall grazing effect.



# FEMTOLINE

PRO

PROFILES

# FEMTOLINE 25

The smallest of the range for surface mounted lighting solutions. Femtoline 25 offers 3 ways of general lighting: standard with a semi-recessed plexi that creates both direct and indirect lighting, Femtoline 25 F with a flush plexi for direct lighting and Femtoline 25 T with a tilted plexi to create an asymmetric light effect.

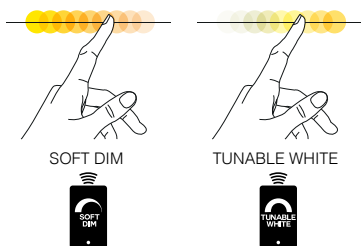
PRO

A



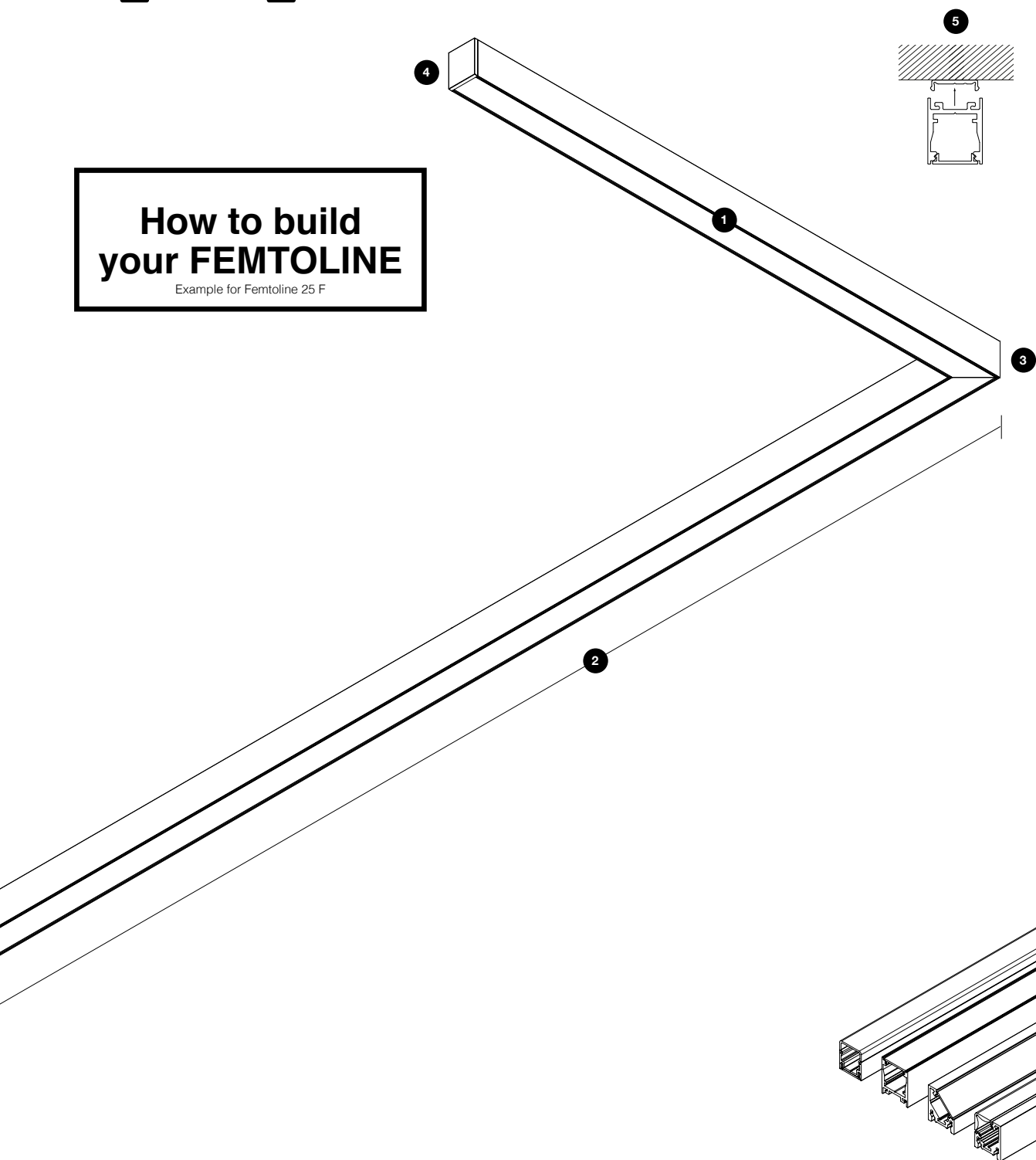
## FEMTOLINE

	25	25 F	25 T	25 TP
<b>1 PROFILE</b>				
PROFILE / m	375 00 00 ◊	382 00 00 ◊	381 00 00 ◊	381 01 00 00 ◊
MAX. LENGTH PER PROFILE SECTION 6m	◊ ANO ● / B ● / W ○	◊ ANO ● / B ● / W ○	◊ ANO ● / B ● / W ○	◊ ANO ● / B ● / W ○
POLYCARBONATE / m				
SANDBLASTED (SBL)	INCLUDED	INCLUDED	INCLUDED	INCLUDED
<b>2 DIMENSIONS</b>				
The length of each profile needs to be defined in mm and will depend on the shape and construction of the design and the light modules selected to go in to each profile section.				
<b>3 JUNCTION / CORNER</b>				
CONNECTOR 90°	375 06 06	382 06 06	-	-
<b>4 ENDCAP</b>				
ENDCAP (2 PCS.)	375 03 01 A / B / W	382 03 01 A / B / W	381 03 01 A / B / W	381 01 03 01 A / B / W
<b>5 FIXATION</b>				
SURFACE MOUNTED				
FIXATION CLIP	INCLUDED	398 03 06 11 (10 PCS.)	INCLUDED	INCLUDED
<b>6 CONNECTION</b>				
-				
<b>7 LED FLEX</b>	<b>LIGHT MODULES</b>			
	SEE PAGE 437			



# How to build your FEMTOLINE

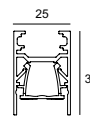
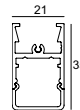
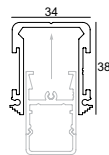
Example for Femtoline 25 F



PRO

PROFILES

# FEMTOLINE 35



IN COMBINATION WITH FTL 35

37 x (L + 6) x 60  
min.9 / max.18

## FEMTOLINE

## 35 TRIMLESS

## 35

## 35 WALLGRAZER

### 1 PROFILE

PROFILE / m MAX. LENGTH PER PROFILE SECTION 6m	393 00 00 ◊ ◊ B ●	391 00 00 ◊ ◊ ANO ● / B ● / W ○	16427 0000 ◊ ◊ ANO ● / B ● / W ○
POLYCARBONATE / m			
SANDBLASTED (SBL)		INCLUSIVE	
WALLGRAZER HE			INCLUSIVE

### 2 DIMENSIONS

The length of each profile needs to be defined in mm and will depend on the shape and construction of the design and the light modules selected to go in to each profile section.

### 3 JUNCTION / CORNER

CONNECTOR 180° (2PCS.)	393 06 01	391 06 11	391 06 11
CONNECTOR 180° for SUSPENSION (1PCS.)	-	16410 0010	16410 0010
CONNECTOR 90°	393 06 06	391 06 06	391 06 06

### 4 ENDCAP

ENDCAP (2 PCS.)	393 03 01 B	391 03 01 ANO / B / W	16427 0310 A / B / W
-----------------	-------------	-----------------------	----------------------

### 5 FIXATION

RECESSED			
INSIDE CLIP (1 PC.)	393 14 01	-	-
SURFACE MOUNTED			
FIXATION CLIP (2 PCS.)	-	391 06 11	391 06 11
TILT SET (2 PCS.)	-	-	16427 1480 A / B / W
SUSPENDED			
SUSPENSION 20 SINGLE 1,6M (1 PC.)	-	391 09 01	391 09 01
SUSPENSION ST	-	15225 0340 B / W	15225 0340 B / W

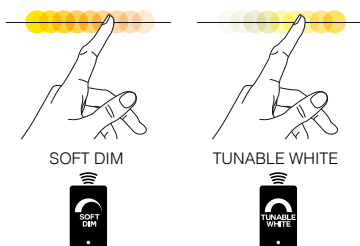
### 6 CONNECTION

POWERBOX			
NON DIM 24V-DC / 60W	-	300 24 060 B / W	300 24 060 B / W
1-10V DIM 24V-DC / 60W	-	300 24 060 ED1 B / W	300 24 060 ED1 B / W
DALI 24V-DC / 150W	-	300 24 150 ED5 B / W	300 24 150 ED5 B / W
SUSPENDED			
CURRENT SUPPLY 1,6M	2X0,75MM²	391 97 51	391 97 51
CONNECTION ST	-	15225 0360 B / W	15225 0360 B / W
CABLE BASE R	-	203 99 55 ANO / B / W	203 99 55 ANO / B / W
CABLE BASE S	-	203 99 56 ANO / B / W	203 99 56 ANO / B / W
COVERSET R	100MM	204 00 100 B / W	204 00 100 B / W

### 7 LED FLEX

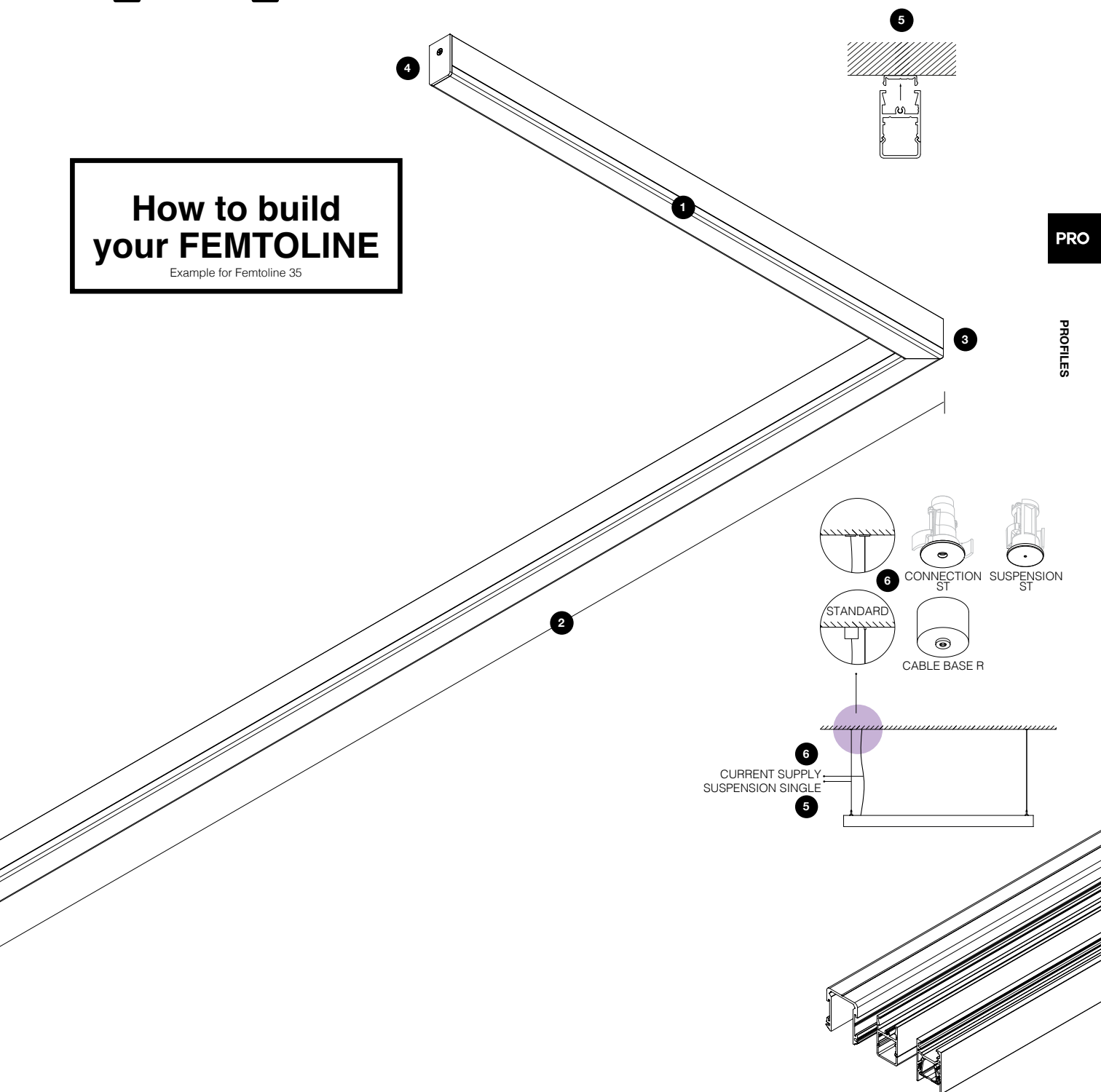
## LIGHT MODULES

SEE PAGE 437



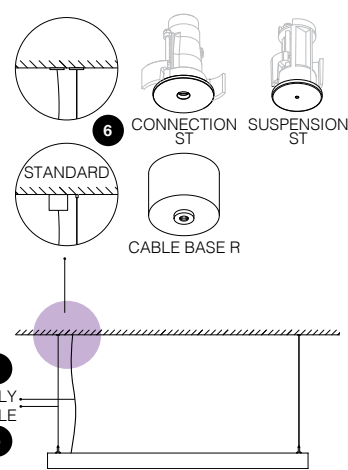
# How to build your FEMTOLINE

Example for Femtoline 35



PRO

PROFILES

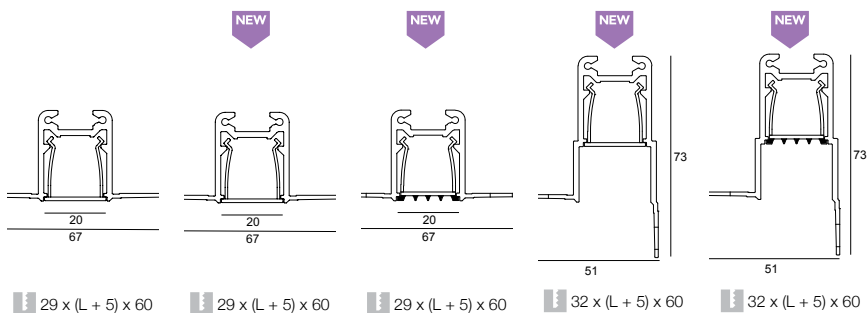


# FEMTOLINE 35 F HE TR

The most versatile of the range. Similar as with Femtoline 25, one can opt for direct lighting with Femtoline 35 or a more indirect general lighting with Femtoline 35 F. Furthermore, Femtoline 35 can also be used within the trimless Femtoline 35 TR profile, creating a black cove filled with strokes of light. Femtoline 35 TR and 35 TRW+ are meant as cove lighting to create contours of light around a room, and as a pendant for down or down-up lighting, one can opt for the straightforward Femtoline 35 F HE.

As diverse applications ask for diverse optics, Femtoline 35 F HE comes in 3 different optical finishes: sandblasted for general lighting, prismatic for task lighting and our LGC (Low Glare Control) extrusion that avoids direct interaction between LED and the human eye when looking at it from aside. Dedicated to enhance structured vertical surfaces, Femtoline 35 WG can be used as a wallgrazing mad-to-measure solution for indoor projects.

PRO



## FEMTOLINE

**35 F HE TR SBL**   **35 F HE TR PR**   **35 F HE TR LGC**   **35 F HE TRW+ SBL**   **35 F HE TRW+ LGC**

### 1 PROFILE

PROFILE / m	16428 0000 ◊	16433 0000 ◊	16434 0000 ◊	16429 0000 ◊	16430 0000 ◊
MAX. LENGTH PER PROFILE SECTION 6m	◊ ANO ●	◊ ANO ●	◊ ANO ●	◊ ANO ●	◊ ANO ●
POLYCARBONATE / m					
SANDBLASTED (SBL)	INCLUDED			INCLUDED	
PRISMATIC (PR)		INCLUDED			
LONGITUDINAL GLARE CONTROL (LGC)			INCLUDED		INCLUDED

### 2 DIMENSIONS

The length of each profile needs to be defined in mm and will depend on the shape and construction of the design and the light modules selected to go in to each profile section.

### 3 JUNCTION / CORNER

CONNECTOR 180°	16428 0620	16428 0620	16428 0620	16428 0620	16428 0620
CONNECTOR 90°	16428 0630	16428 0630	16428 0630	16428 0630	16428 0630

### 4 ENDCAP

ENDCAP (2 PCS.)	16428 0310 ANO	16428 0310 ANO	16428 0310 ANO	16428 0310 ANO	16428 0310 ANO
-----------------	----------------	----------------	----------------	----------------	----------------

### 5 FIXATION

-					
---	--	--	--	--	--

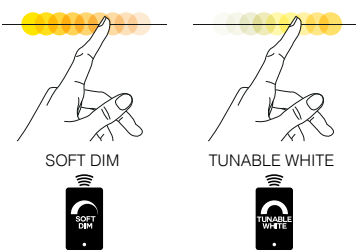
### 6 CONNECTION

-					
---	--	--	--	--	--

### 7 LED FLEX

## LIGHT MODULES

SEE PAGE 437

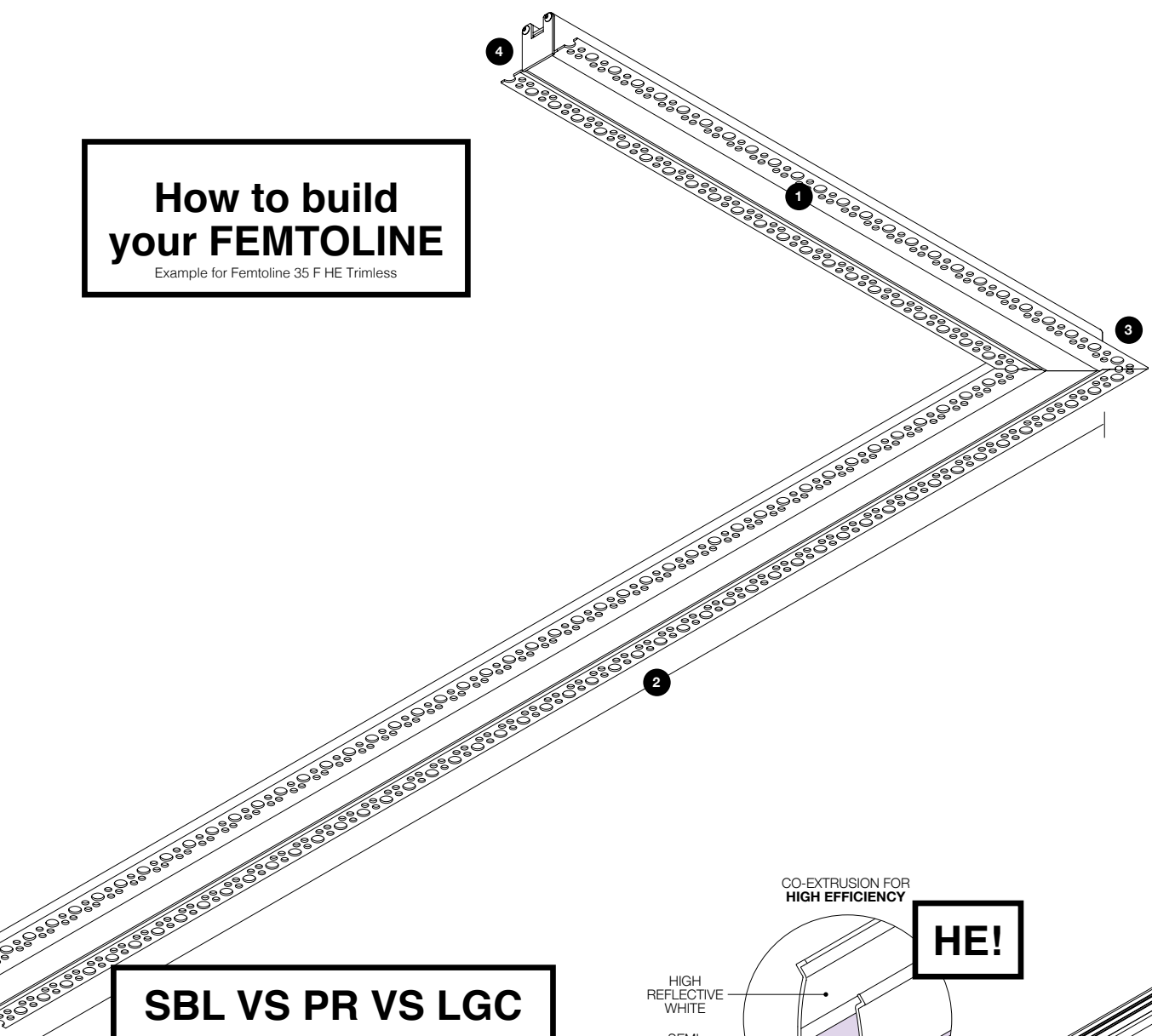


# How to build your FEMTOLINE

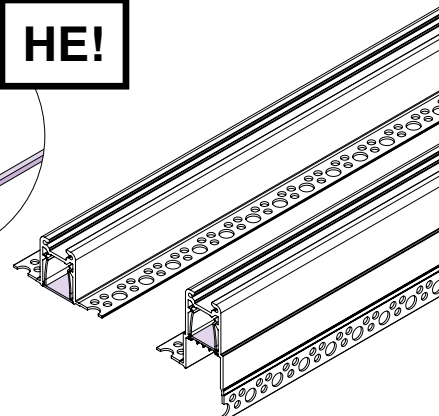
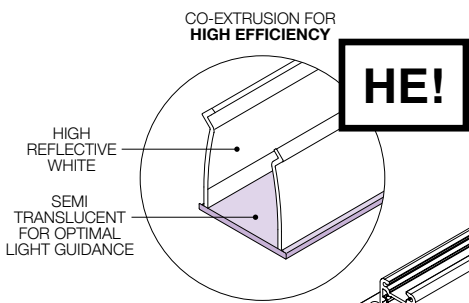
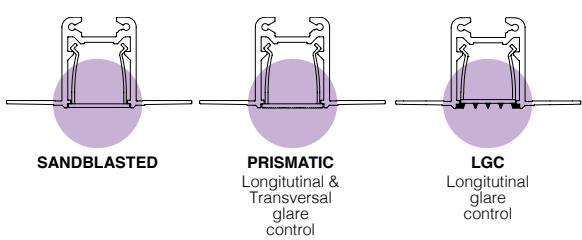
Example for FemtoLine 35 F HE Trimless

PRO

PROFILES



## SBL VS PR VS LGC

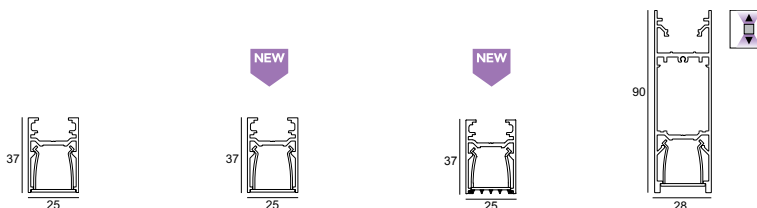


# FEMTOLINE 35 F HE

The most versatile of the range. Similar as with Femtoline 25, one can opt for direct lighting with Femtoline 35 or a more indirect general lighting with Femtoline 35 F. Furthermore, Femtoline 35 can also be used within the trimless Femtoline 35 TR profile, creating a black cove filled with strokes of light. Femtoline 35 TR and 35 TRW+ are meant as cove lighting to create contours of light around a room, and as a pendant for down or down-up lighting, one can opt for the straightforward Femtoline 35 F HE.

As diverse applications ask for diverse optics, Femtoline 35 F HE comes in 3 different optical finishes: sandblasted for general lighting, prismatic for task lighting and our LGC (Low Glare Control) extrusion that avoids direct interaction between LED and the human eye when looking at it from aside. Dedicated to enhance structured vertical surfaces, Femtoline 35 WG can be used as a wallgrazing mad-to-measure solution for indoor projects.

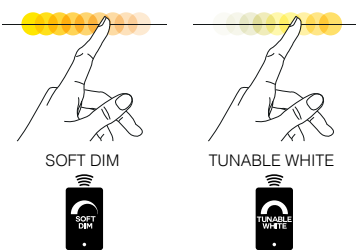
PRO



FEMTOLINE	35 F HE SBL	35 F HE PR	35 F HE LGC	35 F HE D/U
<b>1 PROFILE</b>				
PROFILE / m	392 01 00 00 ◊	16431 0000 ◊	16432 0000 ◊	392 02 00 00 ◊
MAX. LENGTH PER PROFILE SECTION 6m	◊ ANO ● / B ● / W ○	◊ ANO ● / B ● / W ○	◊ ANO ● / B ● / W ○	◊ B ● / W ○
POLYCARBONATE / m				
SANDBLASTED (SBL)	INCLUDED			INCLUDED
SANDBLASTED (SBL) UP				392 02 02 05 SBL
PRISMATIC (PR)		INCLUDED		
LONGITUDINAL GLARE CONTROL (LGC)			INCLUDED	
<b>2 DIMENSIONS</b>				
The length of each profile needs to be defined in mm and will depend on the shape and construction of the design and the light modules selected to go in to each profile section.				
<b>3 JUNCTION / CORNER</b>				
CONNECTOR 180° (2PCS.)	391 06 11	391 06 11	391 06 11	-
CONNECTOR 180° for SUSPENSION (1PCS.)	16410 0010	16410 0010	16410 0010	392 02 06 01
CONNECTOR 90°	391 06 06	391 06 06	391 06 06	-
<b>4 ENDCAP</b>				
ENDCAP (2 PCS.)	392 01 03 01 A / B / W	392 01 03 01 A / B / W	392 01 03 01 A / B / W	392 02 03 01 B / W
<b>5 FIXATION</b>				
SURFACE MOUNTED				
FIXATION CLIP (2 PCS.)	391 06 11	391 06 11	391 06 11	-
SUSPENDED				
SUSPENSION SINGLE 1,6M (1 PC.)	391 09 01	391 09 01	391 09 01	392 02 09 01
SUSPENSION ST	15225 0340 B / W	15225 0340 B / W	15225 0340 B / W	15225 0340 B / W
<b>6 CONNECTION</b>				
POWERBOX				
NON DIM 24V-DC / 60W	300 24 060 B / W	300 24 060 B / W	300 24 060 B / W	300 24 060 B / W
1-10V DIM 24V-DC / 60W	300 24 060 ED1 B / W	300 24 060 ED1 B / W	300 24 060 ED1 B / W	300 24 060 ED1 B / W
DALI 24V-DC / 150W	300 24 150 ED5 B / W	300 24 150 ED5 B / W	300 24 150 ED5 B / W	300 24 150 ED5 B / W
SUSPENDED				
CURRENT SUPPLY 1,6M	2X0,75MM²	391 97 51	391 97 51	391 97 51
CONNECTION ST		15225 0360 B / W	15225 0360 B / W	15225 0360 B / W
CABLE BASE R		203 99 55 ANO / B / W	203 99 55 ANO / B / W	203 99 55 ANO / B / W
CABLE BASE S		203 99 56 ANO / B / W	203 99 56 ANO / B / W	203 99 56 ANO / B / W
COVERSET R	100MM		204 00 100 B / W	
<b>7 LED FLEX</b>				

## LIGHT MODULES

SEE PAGE 437

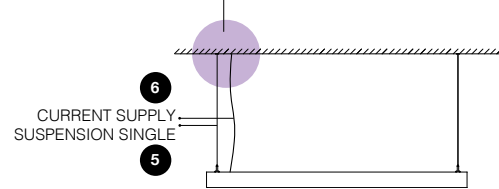
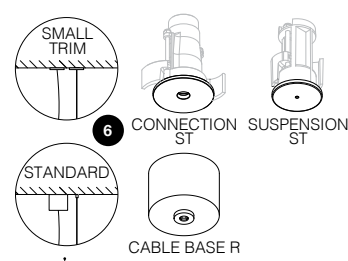
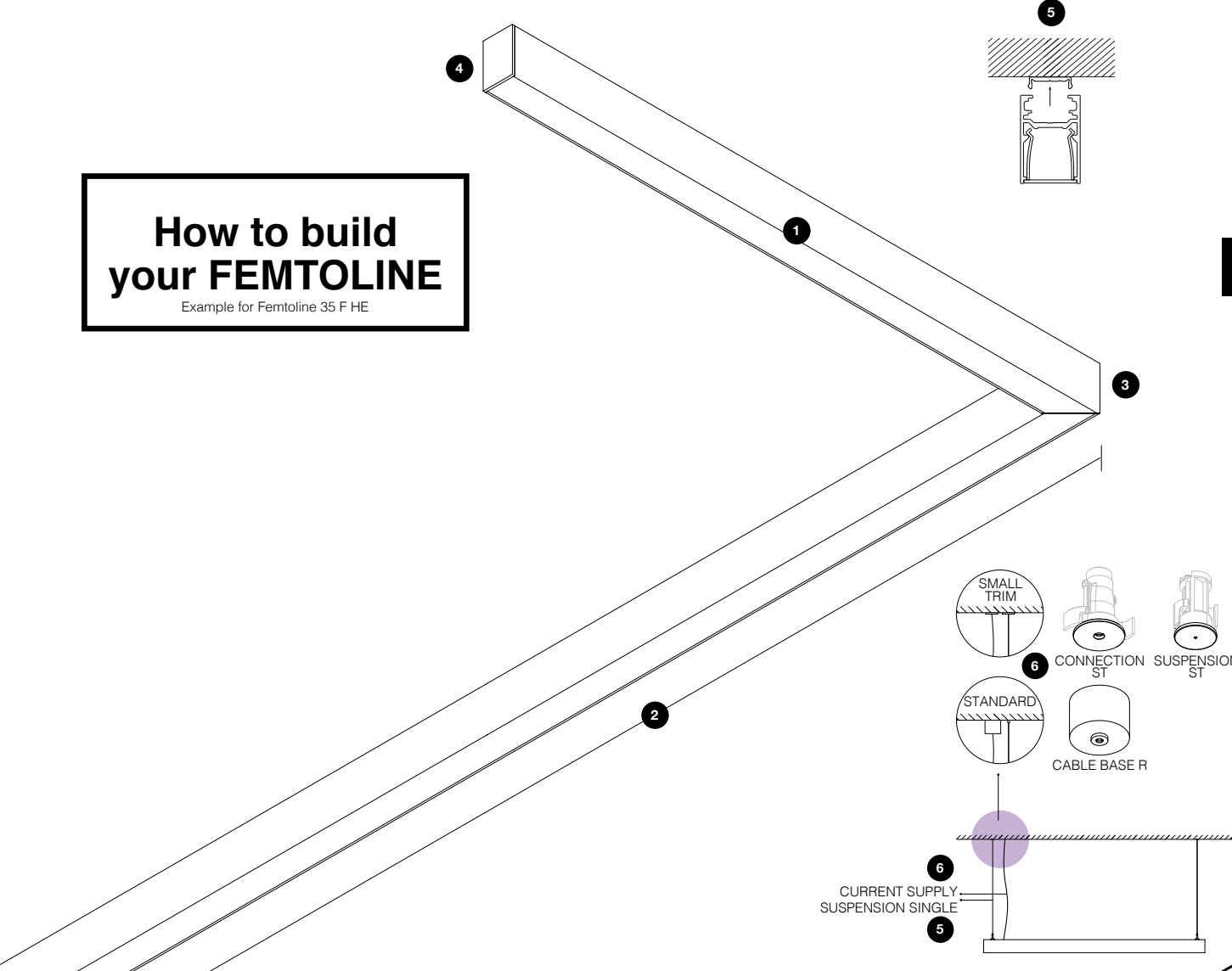


# How to build your FEMTOLINE

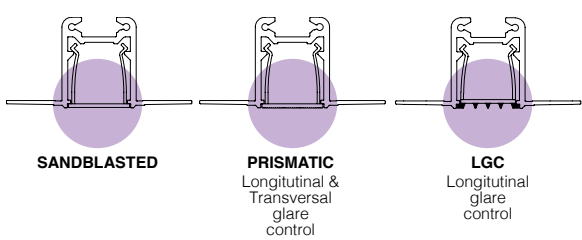
Example for Femtoine 35 F HE

PRO

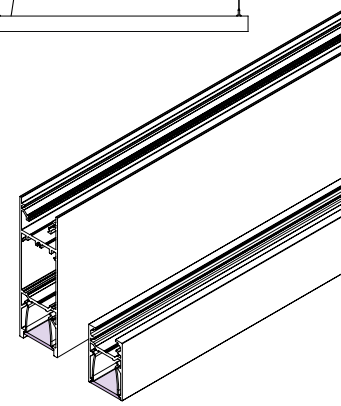
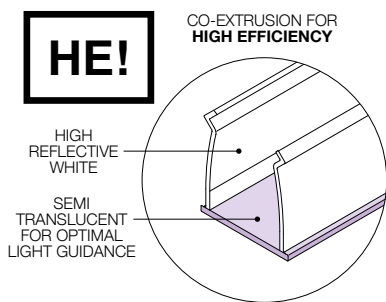
PROFILES



## SBL VS PR VS LGC



## HE!



# FEMTOLINE 45 + WALL

## FEMTOLINE 45

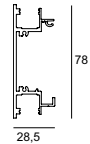
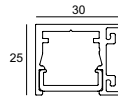
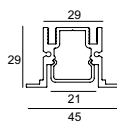
The recessed solution. Fentoline 45 complements the Fentoline 25 range in applications that allow recessed installation.

## FEMTOLINE W

The wall mounted solution. Fentoline W is a very slim and multifunctional LED profile, which can be used in both interior and exterior lighting concepts. This wall mounted profile can be used for either up- or downlight, creating a cosy wall grazing effect.

PRO

A



37 x (L + 12) x 40  
max.13

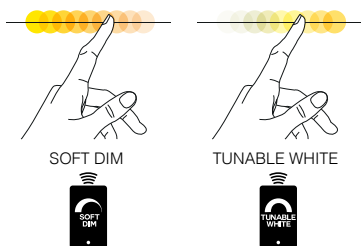
### FEMTOLINE

### 45

### W

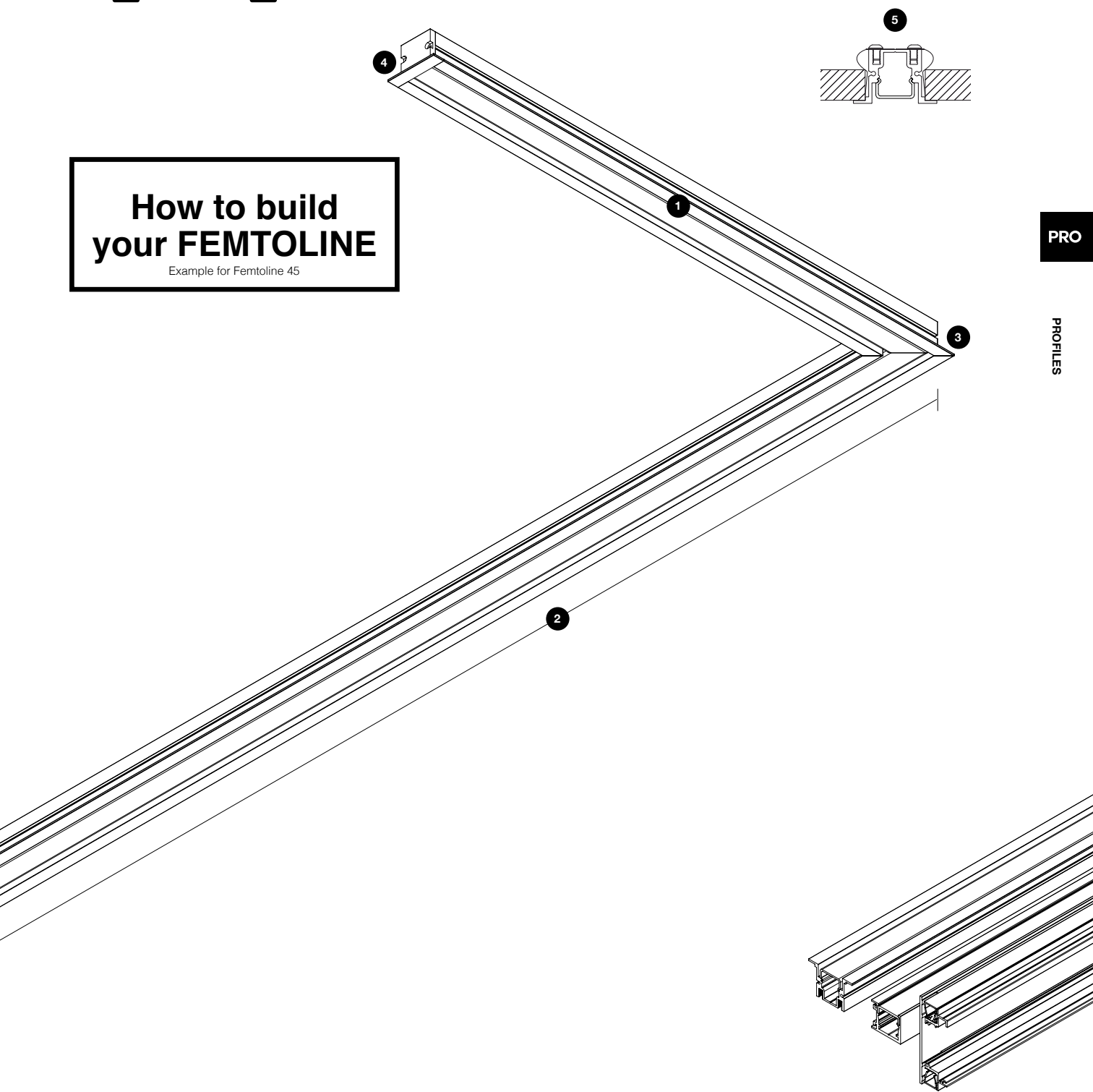
### W D/U

	45	W	W D/U
<b>1 PROFILE</b>		CLEAR	SBL
PROFILE / m	376 00 00 ◇	366 00 00 CL ◇	366 00 00 SBL ◇
MAX. LENGTH PER PROFILE SECTION 6m	◇ ANO ● / B ● / W ○	◇ ANO ●	◇ ANO ●
POLYCARBONATE / m			426 00 00 ◇
CLEAR (CL)		INCLUDED	◇ ANO ● / B ● / W ○
SANDBLASTED (SBL)	INCLUDED		INCLUDED
			INCLUDED
<b>2 DIMENSIONS</b>	The length of each profile needs to be defined in mm and will depend on the shape and construction of the design and the light modules selected to go in to each profile section.		
<b>3 JUNCTION / CORNER</b>			
CONNECTOR 180°	-	-	426 06 01
CONNECTOR 90°	376 06 06	-	-
<b>4 ENDCAP</b>			
ENDCAP (2 PCS.)	376 03 01 ANO / B / W	364 03 01 A	364 03 01 A
			426 03 01 A / B / W
<b>5 FIXATION</b>			
RECESSED			
INSIDE CLIP (2 PCS.)	376 14 01	-	-
SURFACE MOUNTED	-	398 03 06 11 (10 PCS.)	398 03 06 11 (10 PCS.)
			426 14 01 (2 PCS.)
<b>6 CONNECTION</b>			
-	-	-	-
<b>7 LED FLEX</b>	<b>LIGHT MODULES</b>		
	SEE PAGE 437		



# How to build your FEMTOLINE

Example for Femtoline 45



PRO

PROFILES