

# STREAMLINER



The made-to-measure Streamliner is a very versatile LED-focused profile family. Its multiple installation options combined with the possibility to add spots and downlights, allow Streamliner to be used in various applications. Inside, the LED array is available in 2 different output levels and can be finished with an opal or prismatic cover. The possibility to use Tunable White further adds to the flexibility of Streamliner.

**Listing**

ETL certified to US and Canadian safety standards  
5-year limited warranty

Specification	Streamliner 70	Streamliner 85	Streamliner TL
LED type	LED array / LED spots	LED array / LED spots	LED array / LED spots
Installation:	Surface / suspended	Recessed (ceiling thickness: 1/4"-1"-3/8)	Trimless recessed (min ceiling thickness: 1/4")
Body/Extrusion:	Anodized aluminum	Anodized aluminum	Anodized aluminum
Endcaps:	Aluminum	Aluminum	Aluminum
Finish:	Anodized aluminum / Black / White	Anodized aluminum / White	Anodized aluminum
Lens:	Prismatic or sandblasted polycarbonate	Prismatic or sandblasted polycarbonate	Prismatic or sandblasted polycarbonate

Performance	LED Array LP (Static CCT)	LED Array HP (Static CCT)	LED Array (Tunable White)	LED Spot (Static CCT)
CCT Options:	3000K, 3500K		2700-5700K	3000K, 3500K
CRI:	90+		80+	90+
*Power (Down/Up):	3.3W/ft / 6.5W/ft	8.7W/ft / 6.5 W/ft	7.6W/ft	3.8W
Deliverd Lumens:	410 lm/ft	860 lm/ft	573 lm/ft	417 lm
Maximum per 96W Driver:	61' 0"-11/16	15' 0"-3/4	15' 0"-3/4	
LED Cut Lenght:	2"	2"	2"	
Damp Rated (IP20) Option:	Yes	Yes	Yes	Yes
Wet Rated (IP65) Option:	No	No	No	No
McAdam Step:	3			2
LED Maintenance:	L70>50,000h			L70>60,000h
Voltage:	120-277V			120-277V
Dimming:	Standard 0-10V dim 120-277V (1%)			Non-Dim
Power Supply	Constant current driver with 0.9+ power factor and 87+% efficiency			

For emergency lighting, inverter system in by others. Consult factory for more information.  
Data in chart reflects 3000K/90 CRI values unless otherwise noted.

## Ordering

ALL BOXES MUST BE FILLED IN TO CORRECTLY ORDER

Example: P-SRLPCLW-70S-A-INC-STWSPD5-D-30HPD1-U

REFER TO PAGE 2 FOR FULL ORDERING AND PRODUCT CODE INFORMATION

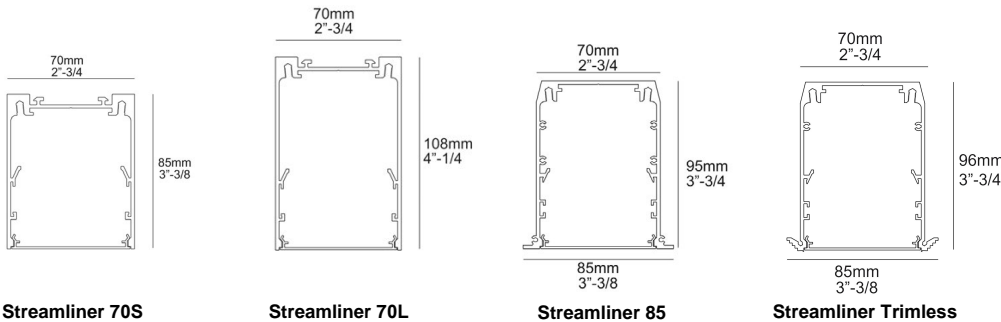
**Ordering**

ALL BOXES MUST BE FILLED IN TO CORRECTLY ORDER

Example: P-SRLPCLW-70S-A-INC-STWSPD5-D-30HPD1-U

Body Type	Instal	Hardware Finish <sup>(2)</sup>	Size (W x H)	Body Finish	App	Lens (Downlight)	CCT Down	LED Array Downlight*	Controls (Down)	Rating	CCT Uplight	LED Array Uplight*	Controls (Uplight)	Layout	Length
P-SRL Streamliner Profile	PC Pendant, 5' cable suspended	A Anodized aluminum	70S 70mm x 85mm / 2"-3/4 x 3"-3/8	A Anodized aluminum	INC Integral Power Supply	X No downlight LED array	X No downlight LED array	X No downlight LED array	X No downlight LED array	D Damp	X No uplight LED array	X No uplight LED array	X No uplight LED array	S Straight run <9'	_____
	PCL Pendant, 19' cable suspended	B Black	70L 70mm x 108mm / 2"-3/4 x 4"-1/4	B Black		P Prismatic polycarbonate	30 3000K	LP Low Power	ND Non-dim		30 3000K	HP High Power	ND Non-dim	SJ Straight run >9' (joined bodies)	<i>To add spot modules, continue to configuration grid on next page</i>
		W White		W White		S Sandblasted polycarbonate	35 3500K	HP High Power	D1 0-10V dim 120-277V		35 3500K	D1 0-10V dim 120-277V	L L-Shape (2-sided)		
	SF <sup>(1)</sup> Surface mount	X No finished hardware	85 85mm x 95mm / 3"-3/8 x 3"-3/4	A Anodized aluminum		S Sandblasted polycarbonate	35 3500K	HP High Power	D1 0-10V dim 120-277V		35 3500K	D1 0-10V dim 120-277V	D5 Dali dim 2-channel	U U-Shape (3-sided)	
	RF <sup>(1)</sup> Recessed with flange	X No finished hardware												W White	
TL <sup>(1)</sup> Recessed with mud into drywall	X No finished hardware	TL 85mm x 96mm / 3"-3/8 x 3"-3/4	A Anodized aluminum	C Custom											

1. Must be DN Downlight only, no uplight  
2. Applies to coverplate



**Configuration**

ALL BOXES MUST BE FILLED IN TO CORRECTLY ORDER

Example:

Body Type	Size (W x H)	Length	Connection	Length	Connection	Length	Connection	Length	Connection
<b>C-SRL</b> Streamliner Profile Configuration	<b>70S</b> Small	Nominal length in feet Straight run <9'	<b>C90</b> 90° joiner bracket with illumination	Nominal length in feet Straight run <9'	<b>C90</b> 90° joiner bracket with illumination	Nominal length in feet Straight run <9'	<b>C90</b> 90° joiner bracket with illumination	Nominal length in feet Straight run <9'	<b>C90</b> 90° joiner bracket with illumination
	<b>70L</b> Large		<b>S180</b> 180° joiner bracket		<b>S180</b> 180° joiner bracket		<b>S180</b> 180° joiner bracket		<b>S180</b> 180° joiner bracket
	<b>85</b>		<b>LS1</b> Single spot module, non-dim Length: 9"-13/16		<b>LS1</b> Single spot module, non-dim Length: 9"-13/16		<b>LS1</b> Single spot module, non-dim Length: 9"-13/16		<b>LS1</b> Single spot module, non-dim Length: 9"-13/16
	<b>TL</b>		<b>LS2</b> Double spot module, non-dim Length: 17"-3/4		<b>LS2</b> Double spot module, non-dim Length: 17"-3/4		<b>LS2</b> Double spot module, non-dim Length: 17"-3/4		<b>LS2</b> Double spot module, non-dim Length: 17"-3/4



LS1

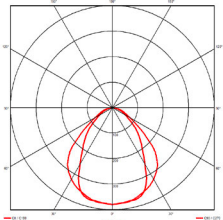


LS2

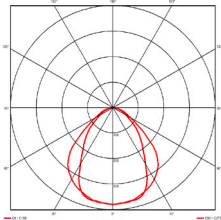
Continue for all sections / connections for each run

**Photometric Data**

LED Array (LP Static CCT, HP Static CCT)

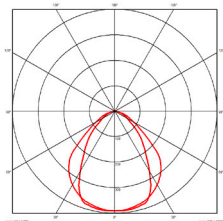


Prismatic lens

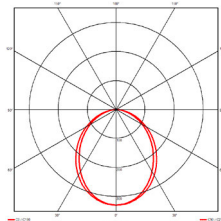


Sandblasted lens

LED Array (Tunable White)



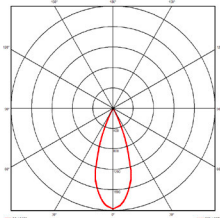
Prismatic lens



Sandblasted lens

LED Array (Tunable White)

40° Spot - Static CCT



## Driver Options

### D1

---

- Dimming Control 0-10V
- Dimming Range 1-100%
- Dim to off yes
- Power Factor @ Full Load >0.97
- Efficiency @ Full Load ≥89
- THD @ Full Load <10%

### Dimmer Compatibility

- Leviton IP710-DLZ
- Lutron DDTV-XX
- WattStopper ADF-120277
- Synergy Lighting Controls ISD BC

### D0

---

- Dimming Control NON DIMMABLE
- Power Factor @ Full Load >0.9
- Efficiency @ Full Load ≥87
- THD @ Full Load <20%

### D5

---

- Dimming Control Dali
- Dimming Range 1-100%
- Dim to off yes
- Power Factor @ Full Load >0.9
- Efficiency @ Full Load ≥85
- THD @ Full Load <20%

As technology changes, please use information above as guidance. For most recent updated information please contact factory. Specifications subject to change without notice.