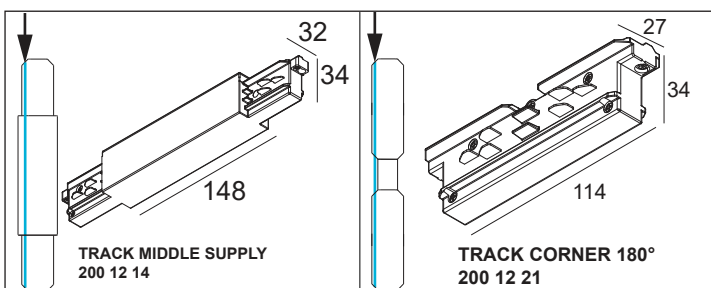
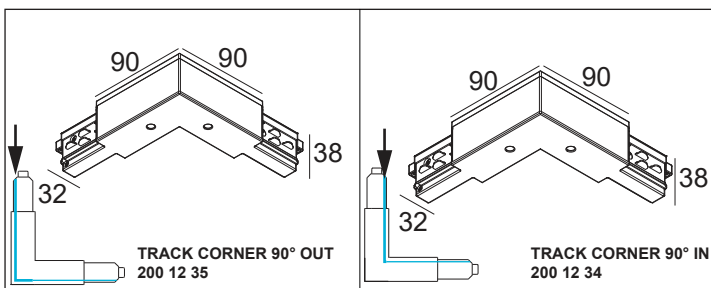
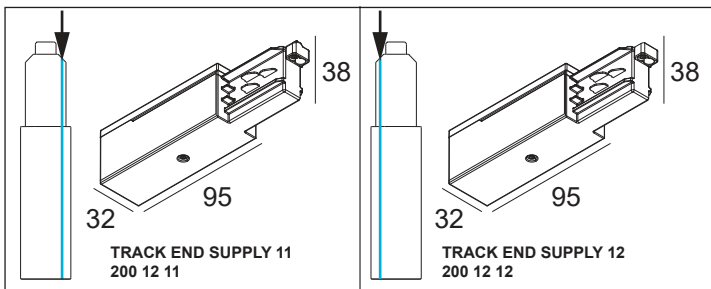
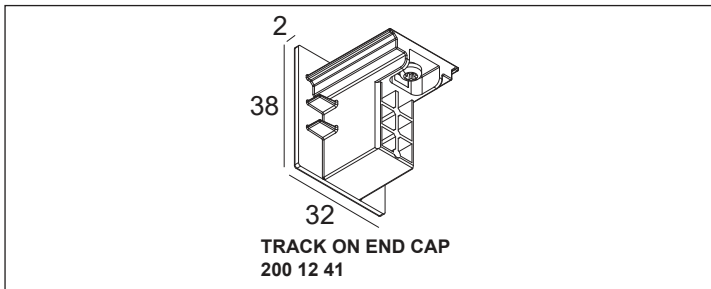
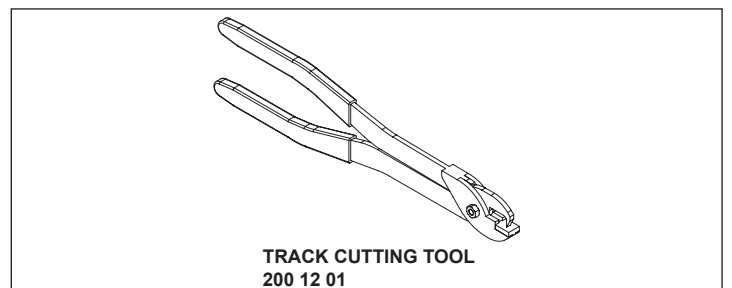
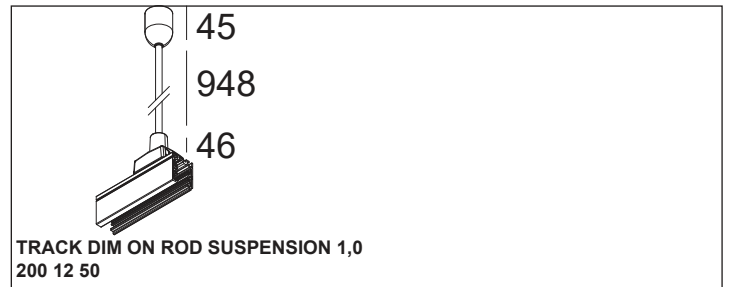
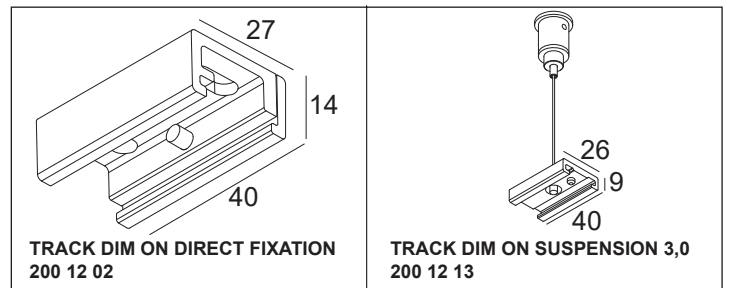
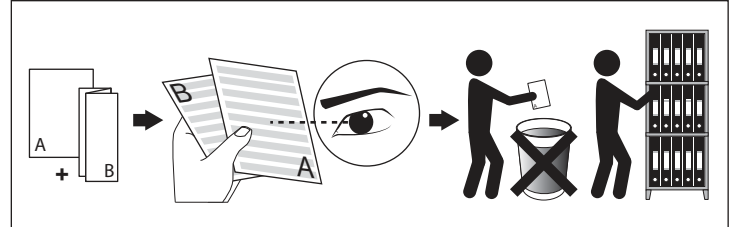
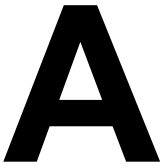


IP20
 Beschermd tegen vaste voorwerpen die groter zijn dan 12 mm
 Protégé contre les objets solides de plus de 12 mm
 Geschützt gegen Festkörper größer als 12 mm
 Protected against solid objects greater than 12 mm
 Protegido contra objetos sólidos superiores a 12 mm
 Protetto contro oggetti solidi più grandi di 12 mm



TRACK 3F DIM ON

DEEL
PARTIE
TEIL
PART
PARTE
PARTE



CABLE BASE R 203 99 55	Ø57 x 41	
CABLE BASE S 203 99 56	57 x 57 x 41	
COVERSET R 204 00 62 204 00 90 204 00 100	Ø62 Ø90 Ø100	
COVERSET S 204 62 62 204 80 80 204 90 90	62 x 62 80 x 80 90 x 90	

TRACK END CAP

01

02

32

38

2

TRACK IN END CAP
200 12 41

ACCESSORY SET
X1

TRACK CUTTING TOOL

TRACK CUTTING TOOL
200 12 01

USE AFTER EVERY SAW CUT OF THE ALUMINIUM PROFILE

5mm

90°

5mm

90°

4X

TRACK END SUPPLY

TRACK END SUPPLY 11
200 12 11

TRACK END SUPPLY 12
200 12 12

ACCESSORY SET
X1

USED IN COMBINATION WITH :
TRACK CURRENT SUPPLY
5 x 0,75mm² 3,0m
200 99 53

32

95

38

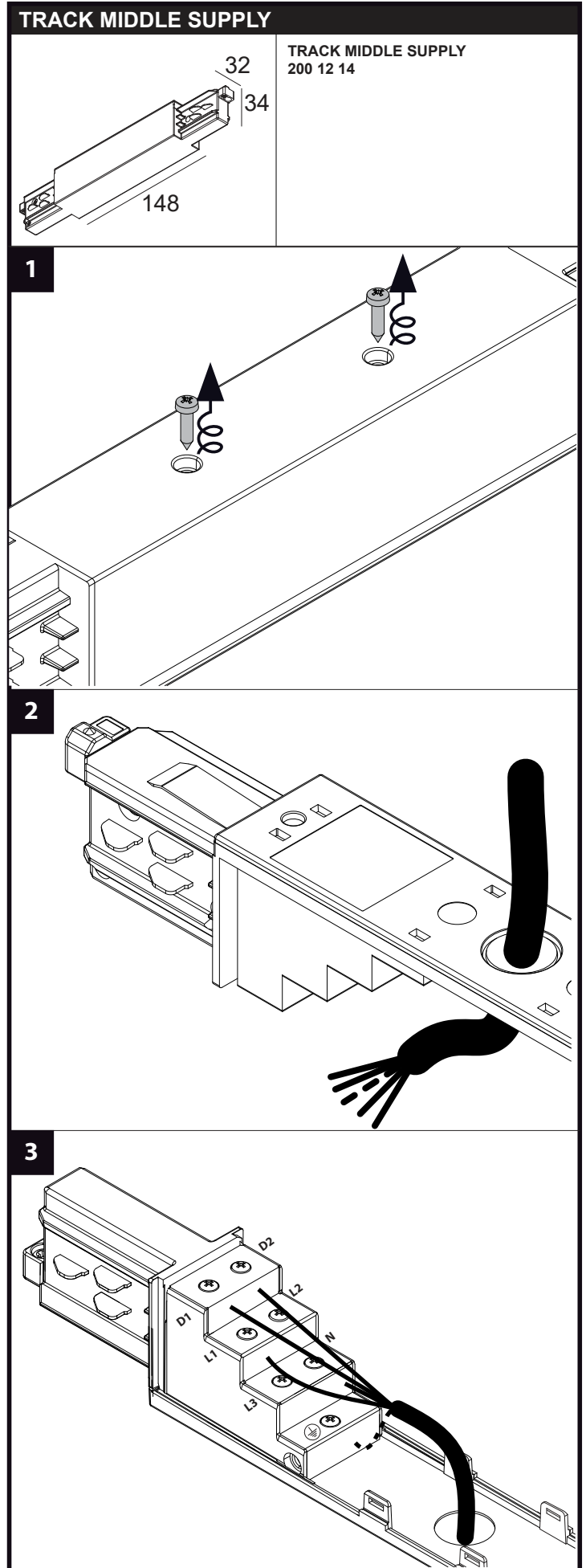
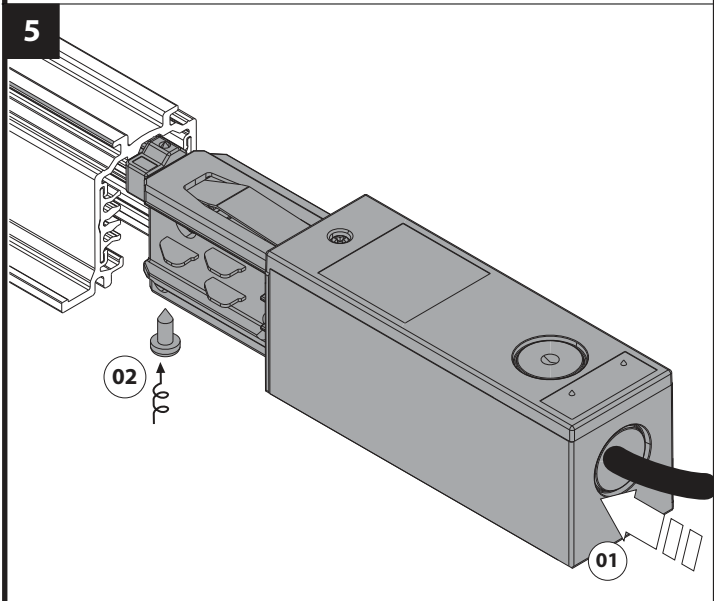
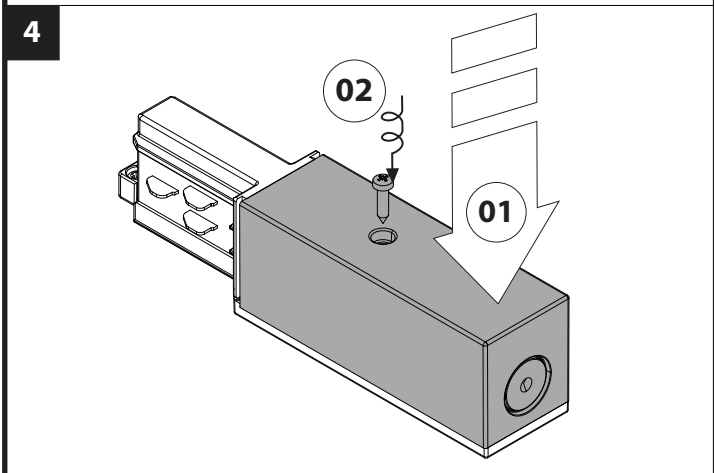
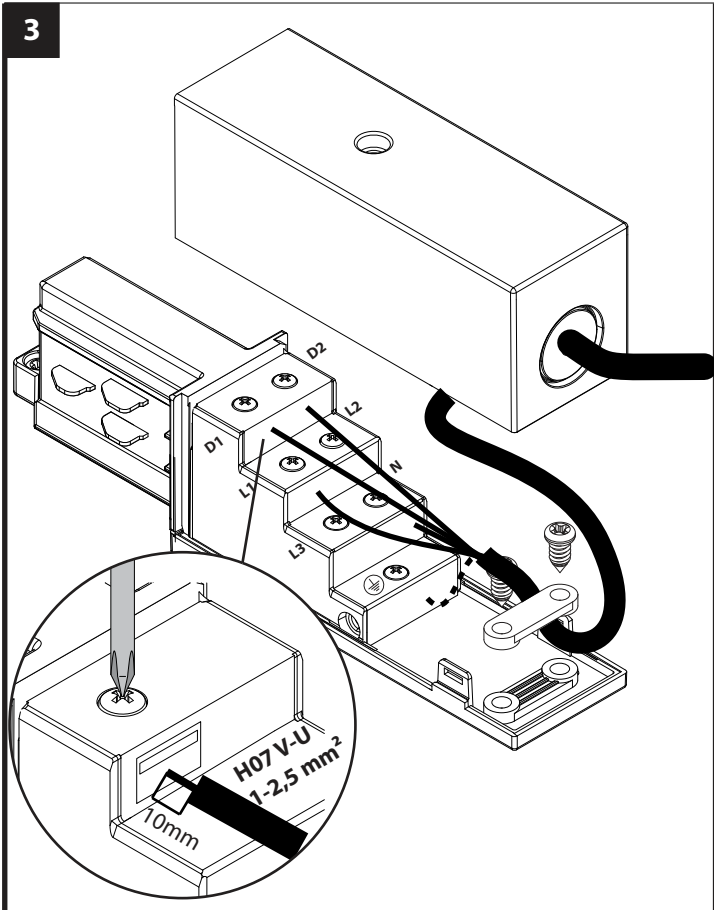
1

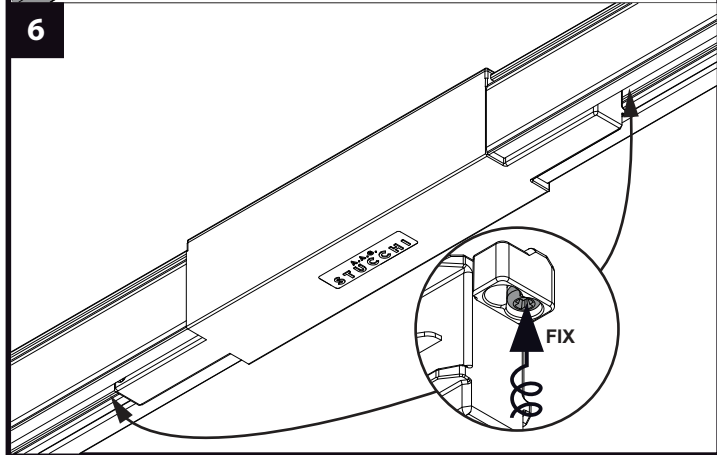
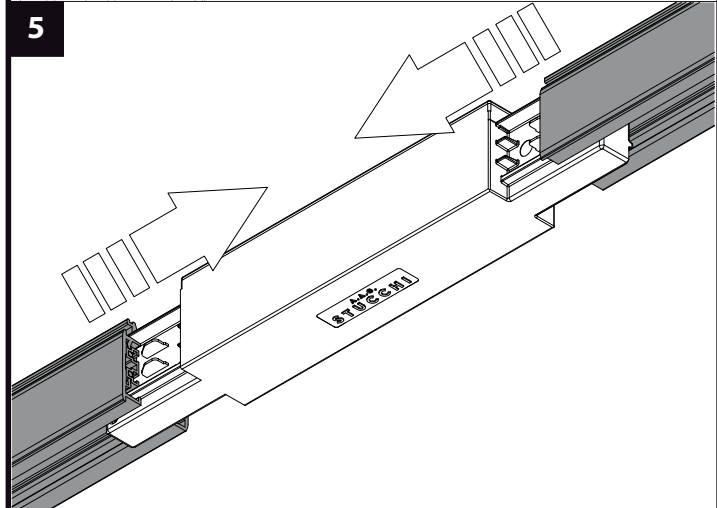
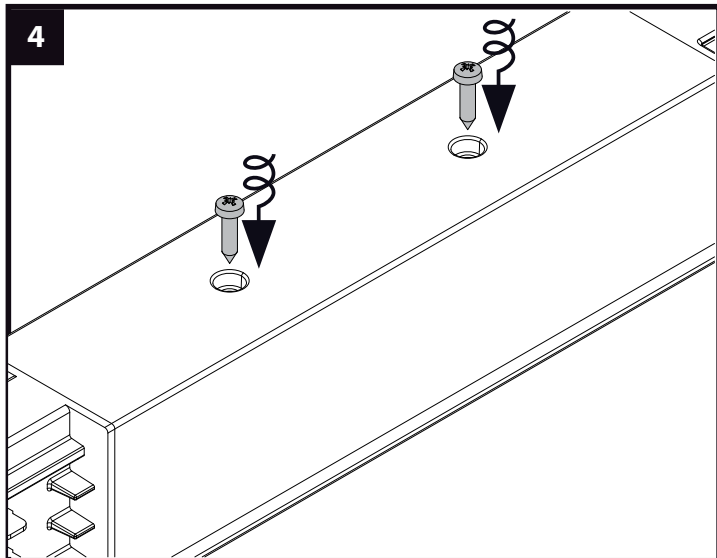
01

02

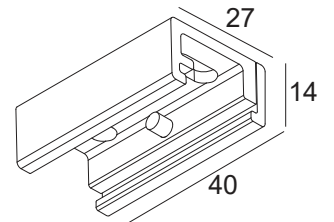
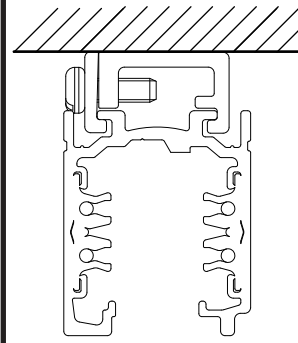
2

OR

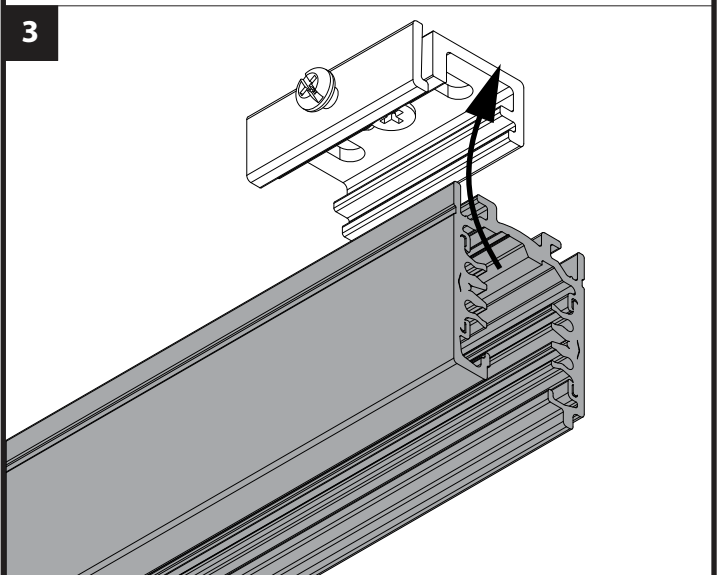
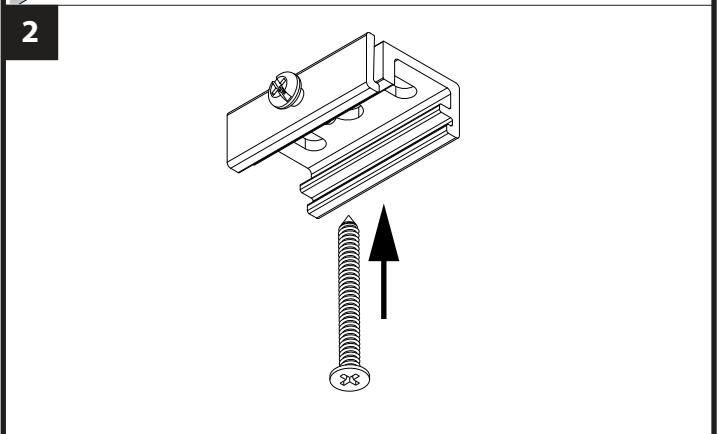
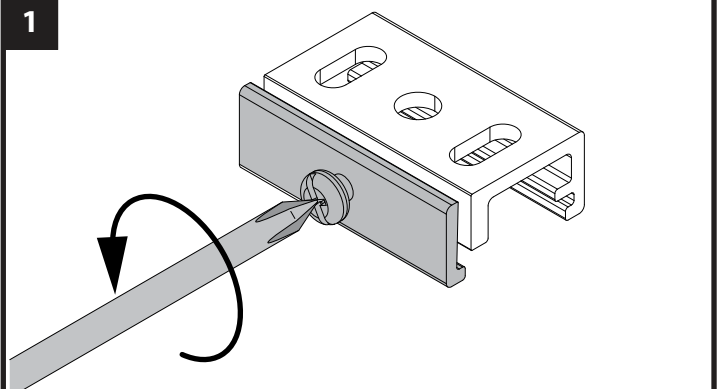


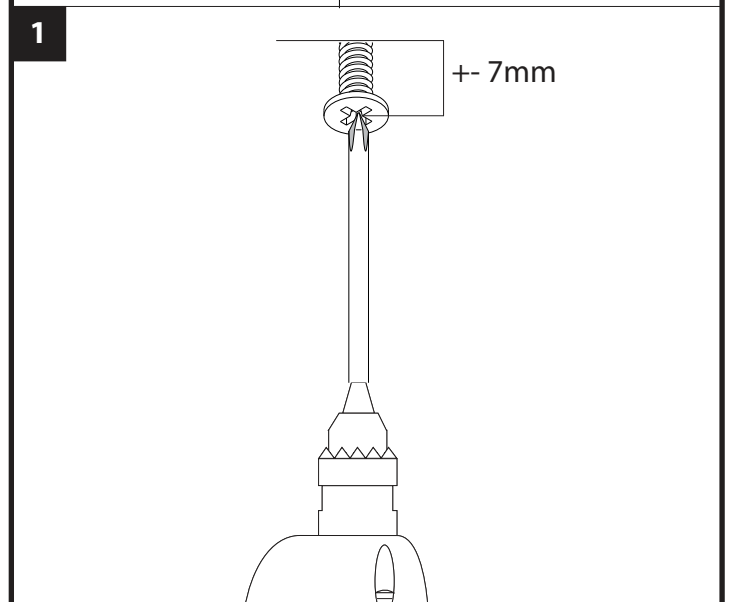
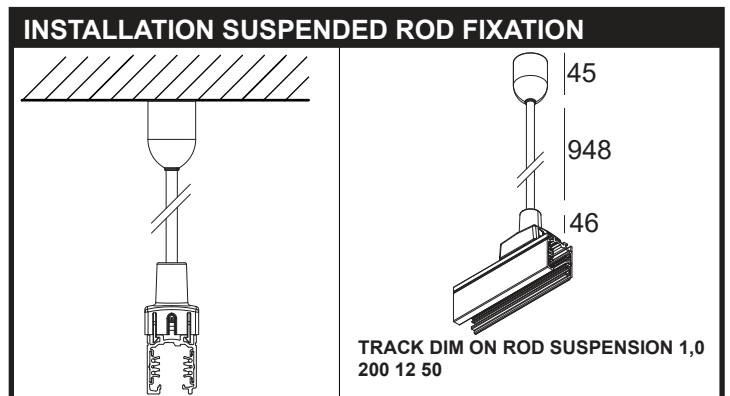
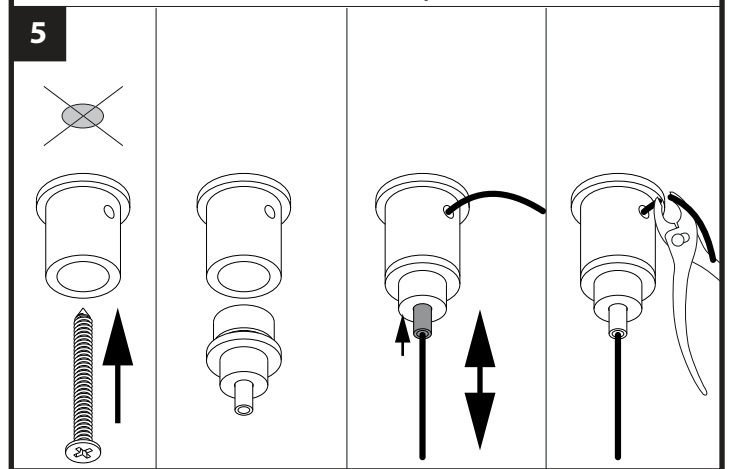
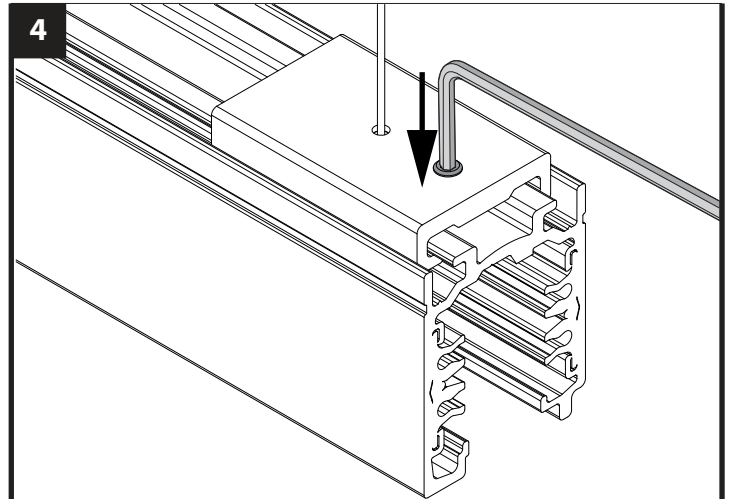
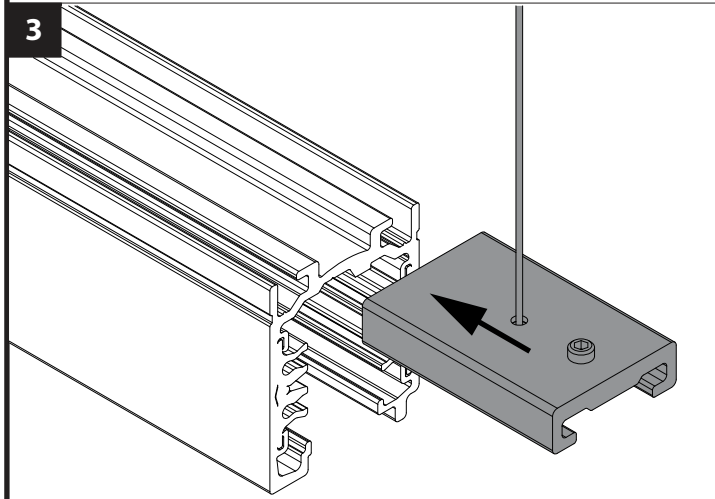
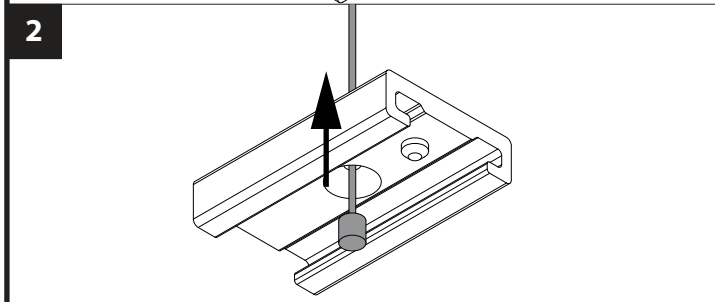
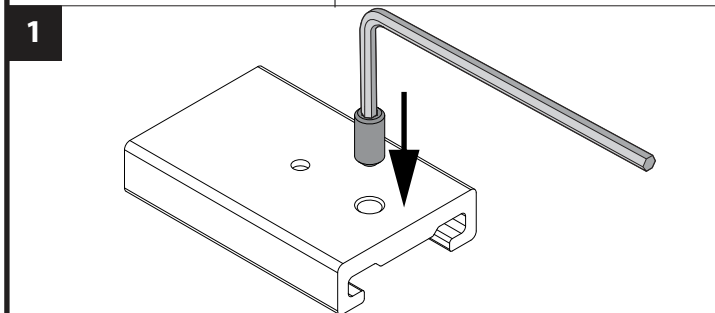
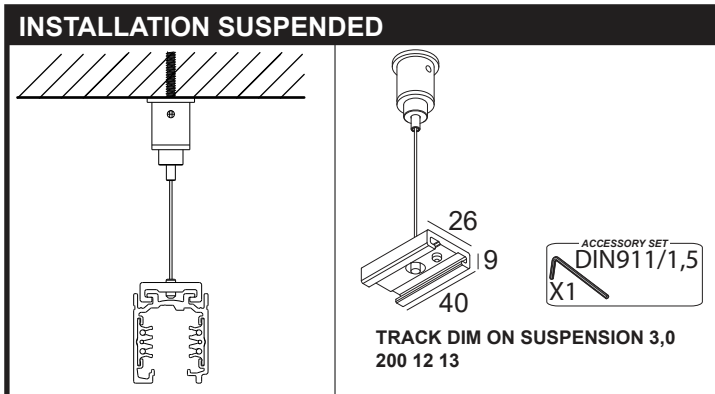
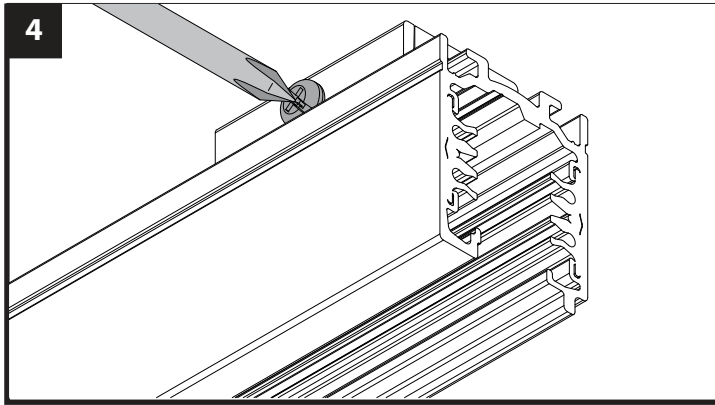


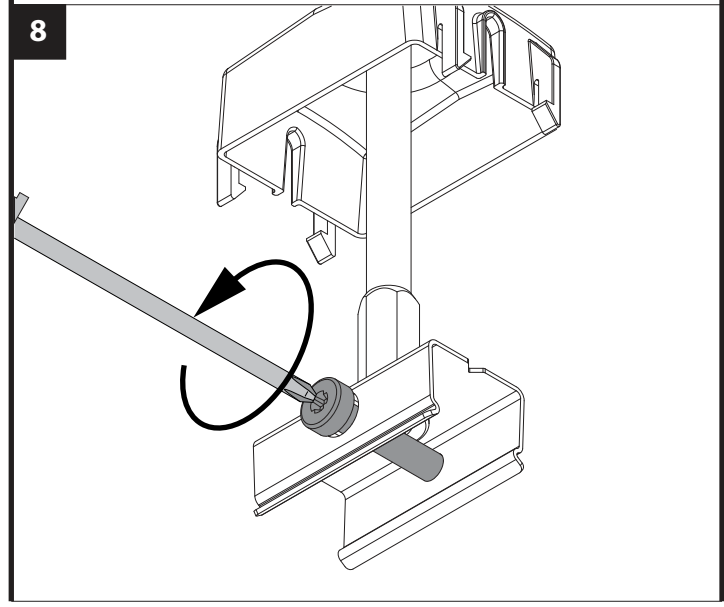
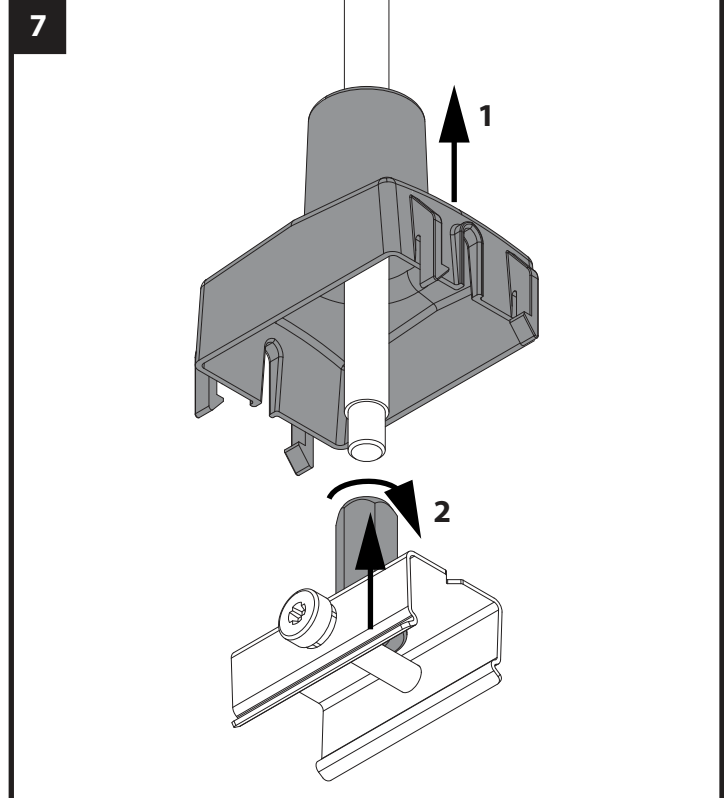
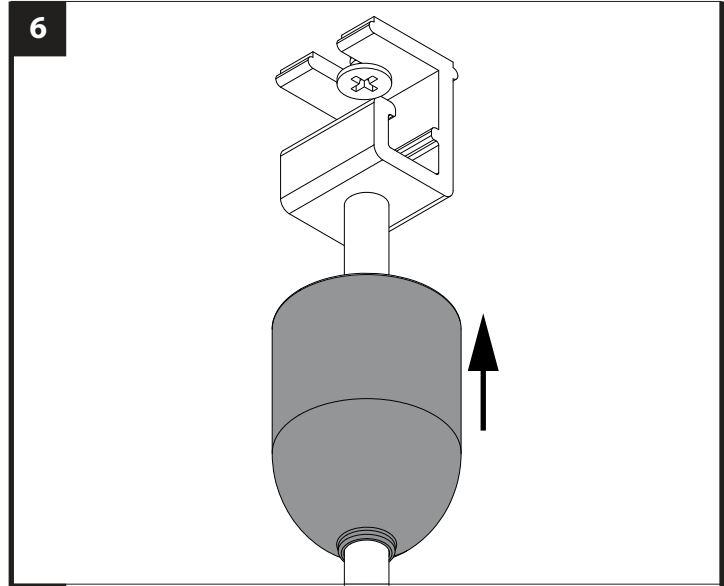
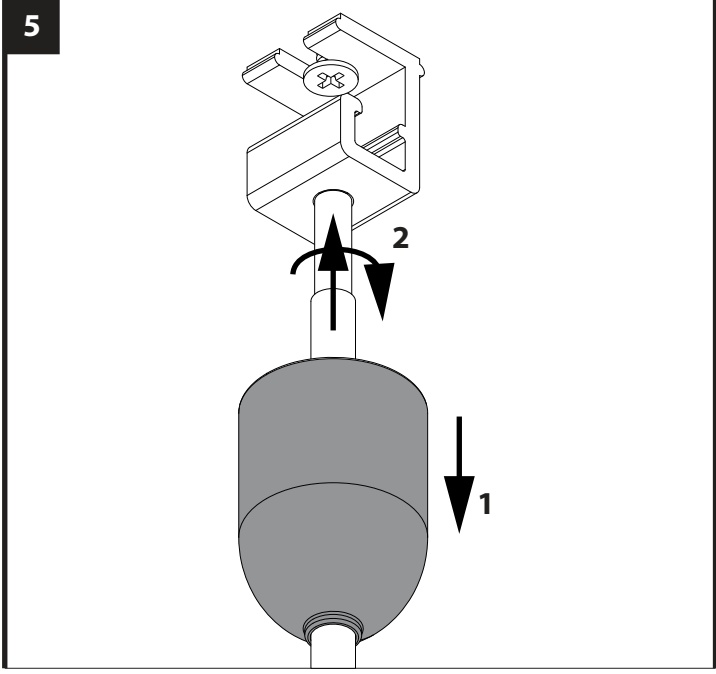
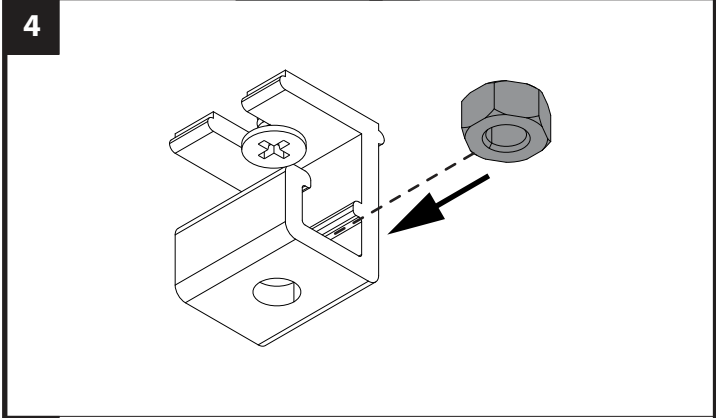
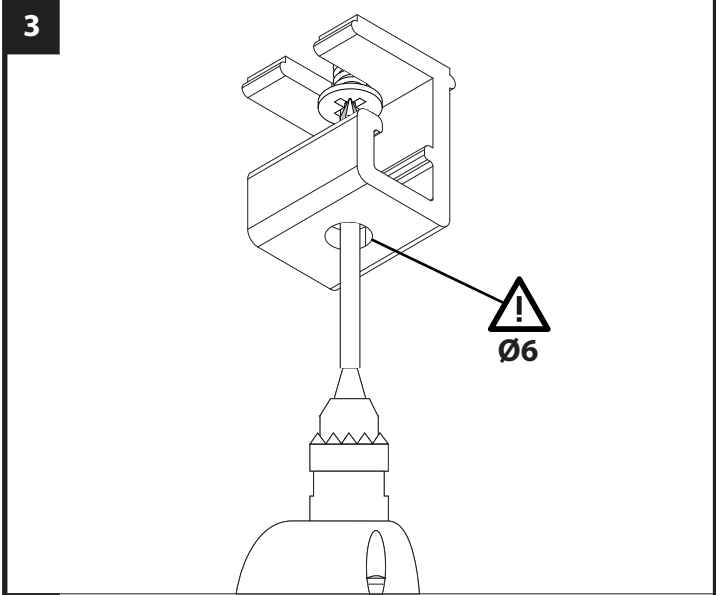
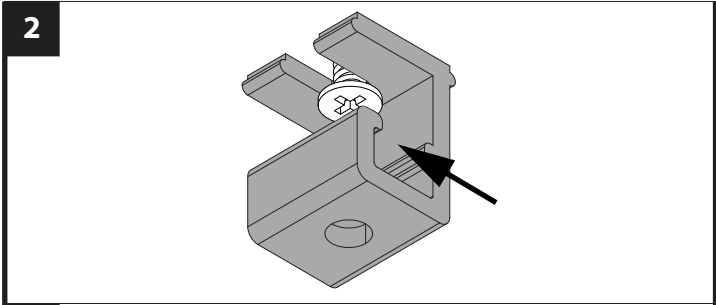
INSTALLATION DIRECT FIXATION

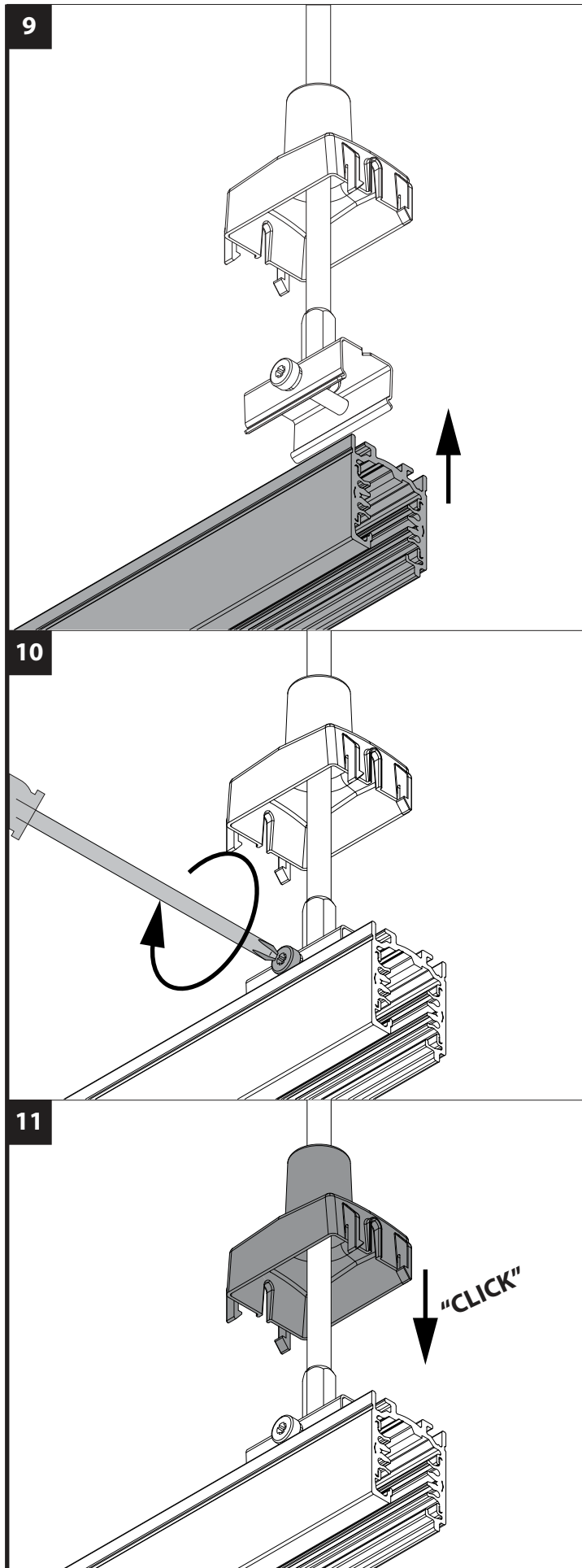


TRACK DIM ON DIRECT FIXATION
200 12 02









The following applies/is recommended for our 3F tracks (with rod or wire):

- Max load per meter: 25kg/m (weight of fixtures counted)
 - o First fixation point max 200mm from ends
 - o Maximal interdistance between 2 fixation points $\leq 600\text{mm}$
- When load is reduced to $< 15\text{kg/m}$,
 - o First fixation point max 250mm from ends
 - o Maximal interdistance between 2 fixation points $\leq 1000\text{mm}$
- When load is reduced to $< 7\text{kg/m}$,
 - o First fixation point max 250mm from ends
 - o Maximal interdistance between 2 fixation points $\leq 2000\text{mm}$