

**SPM20 ST - PROFILE**

	<p><b>SPM20 ST - PROFILE</b> 23397 0020</p>

Cutout type	Square
Cutout size	32 x (L+10)mm
Recessed depth	90mm
Thickness ceiling	Min 9mm - Max 25mm
Max power per feed at 120V	400W
Max power per feed at 240V	800W

**SPM20 ST - INSIDE CLIP**

**SPM20 ST - INSIDE CLIP**  
23397 0140

SPM20 ST - PROFILE 2m 3x

SPM20 ST - PROFILE 3m 4x

**FIXATION**

**POSITION FOR INSTALLATION**

**SPM20 ST PROFILE**

DEEL  
PARTIE  
TEIL  
PART  
PARTE  
PARTE

**A**

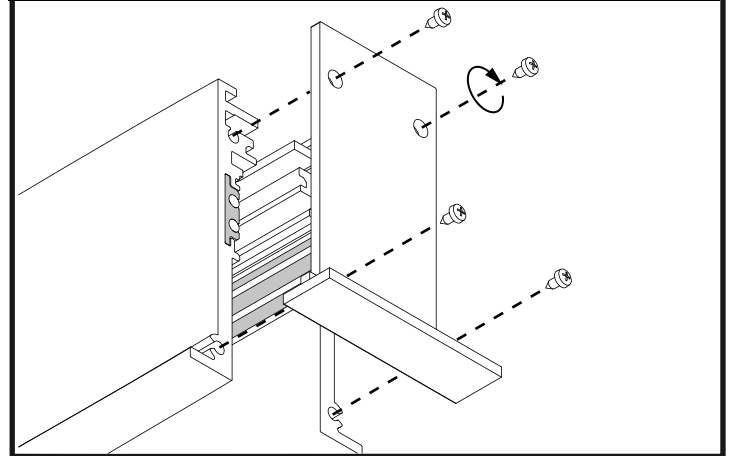
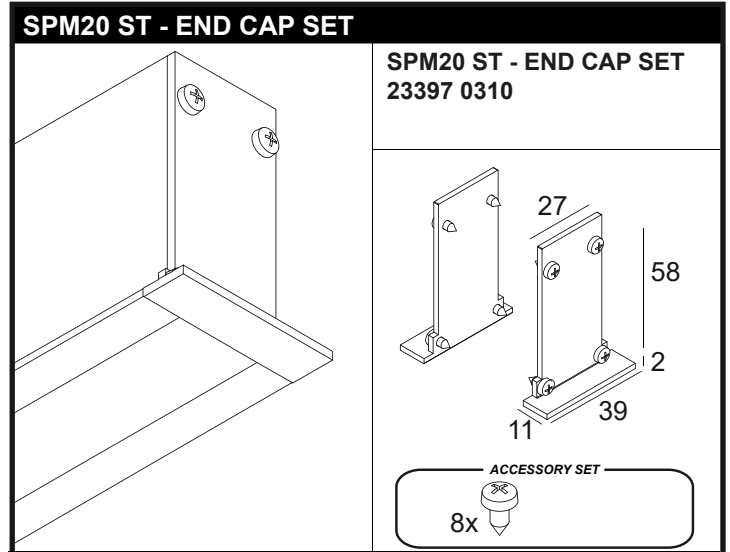
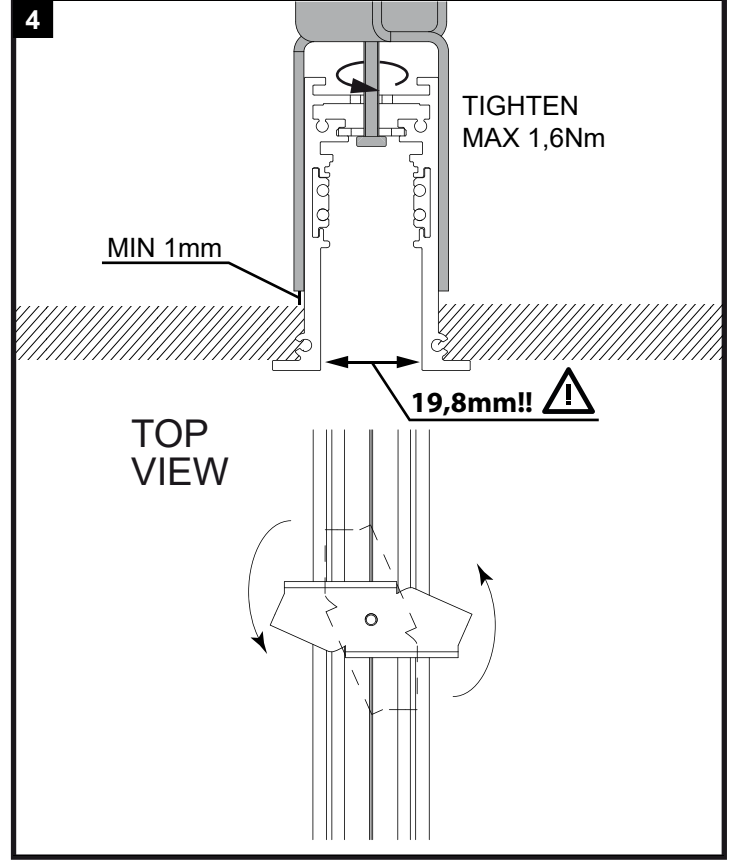
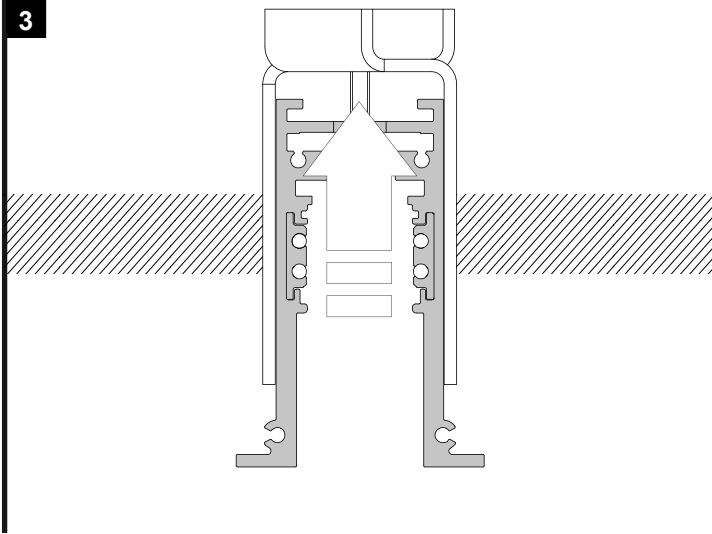
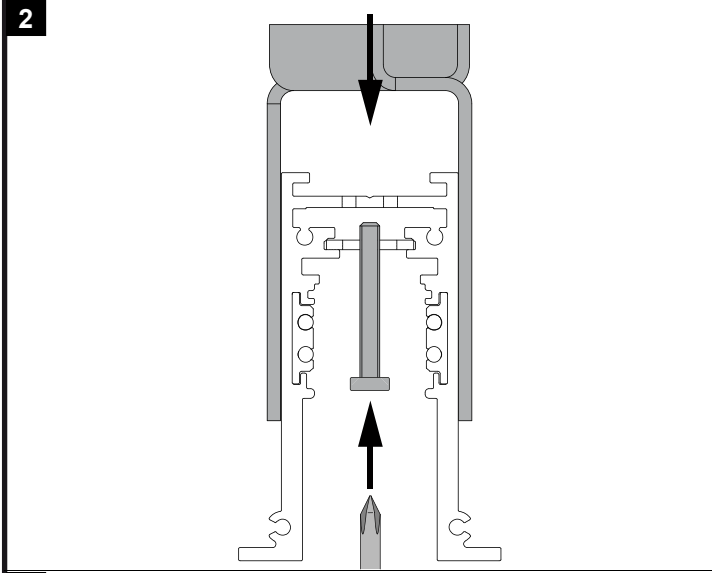
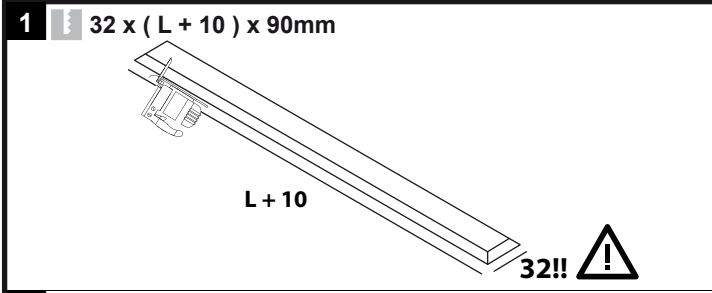
**TRACK CUTTING TOOL**

TRACK CUTTING TOOL  
200 12 01

**USE AFTER EVERY SAW CUT OF THE ALUMINIUM PROFILE**

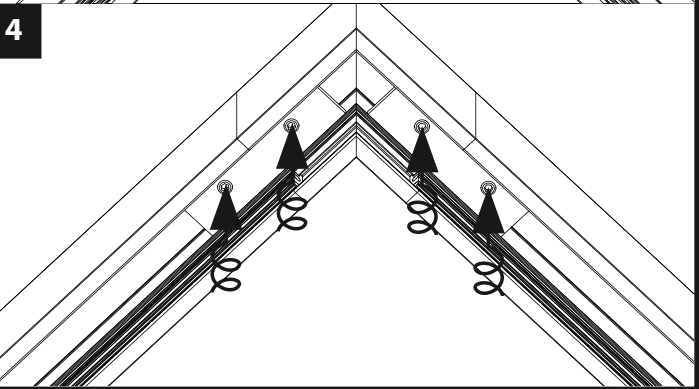
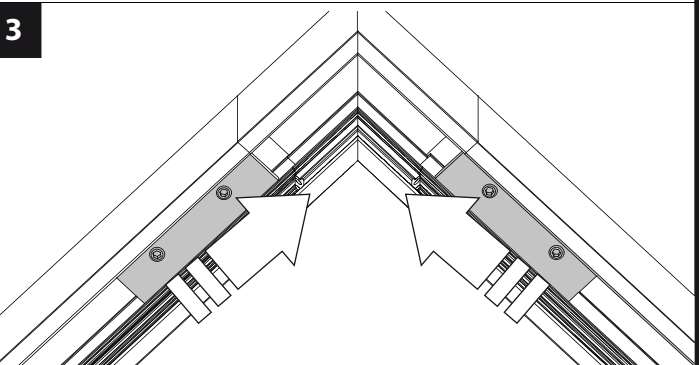
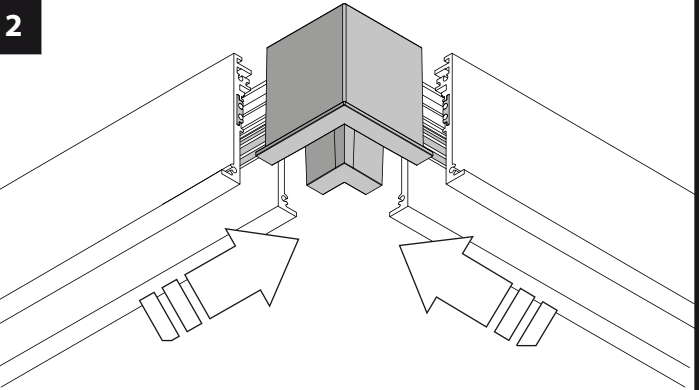
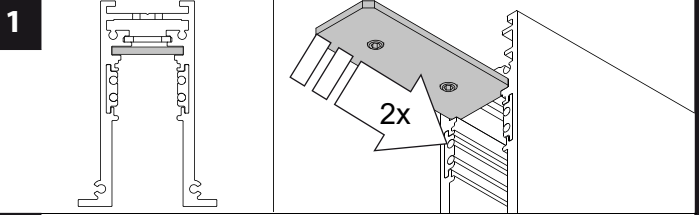
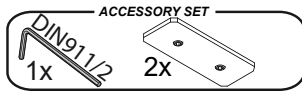
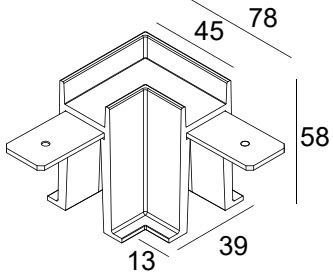
SPM20 ST - PROFILE 2m  
SPM20 ST - PROFILE 3m

**1**



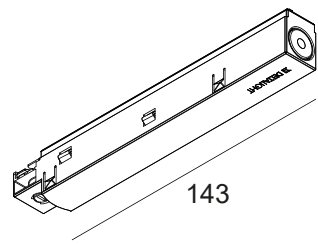
**SPM20 ST - CORNER SET 90°**

SPM20 ST - CORNER SET 90°  
23397 0640



**SPM - SUPPLY 48V**

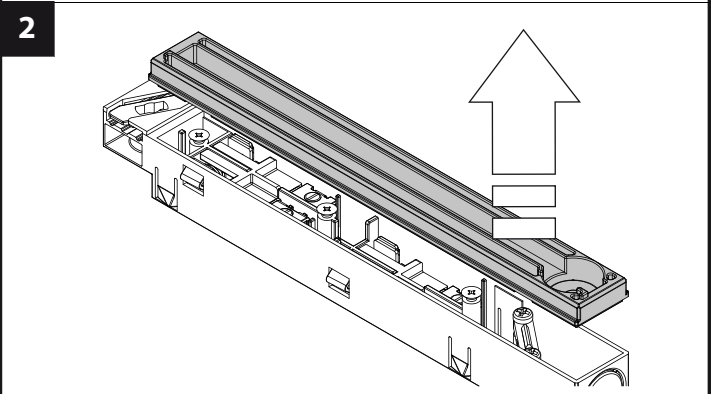
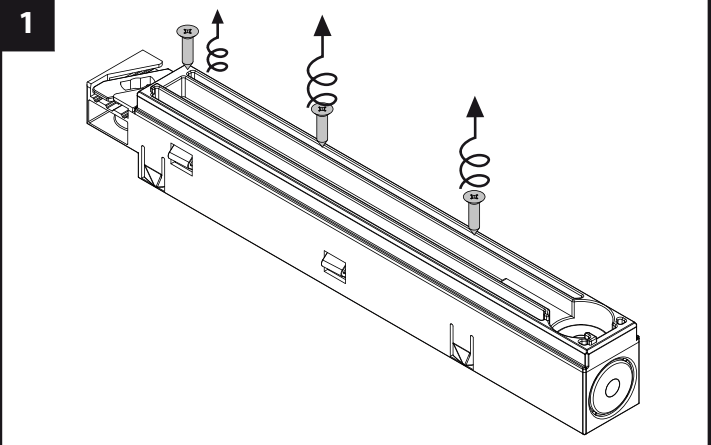
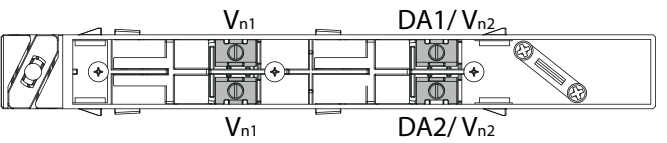
SPM - SUPPLY 48V  
420 99 03

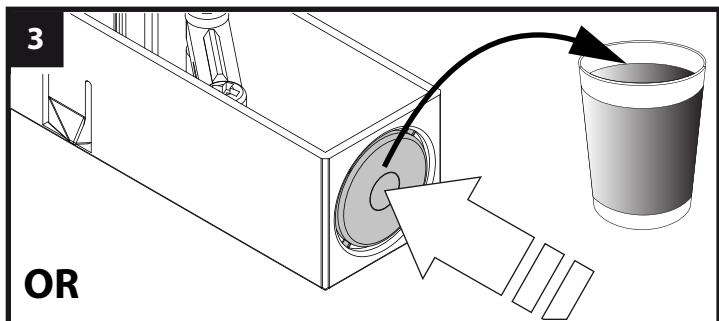


48V-DC  
MAX. 200W  
MAX. 50M

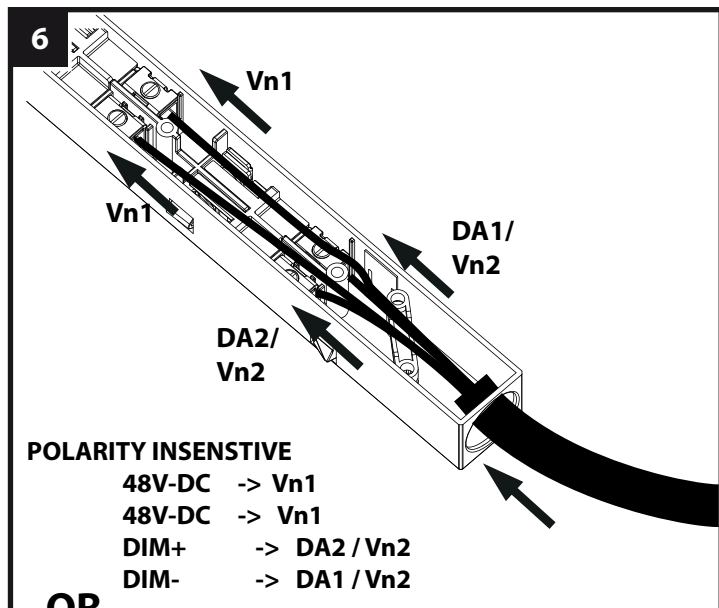
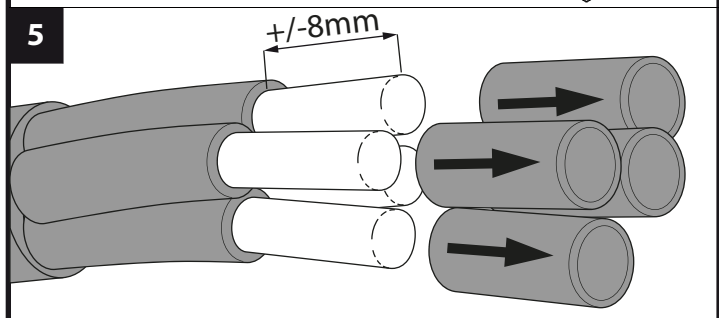
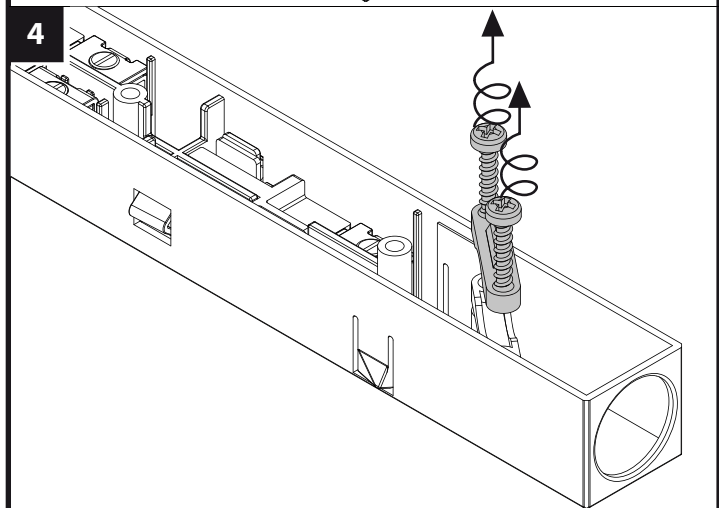
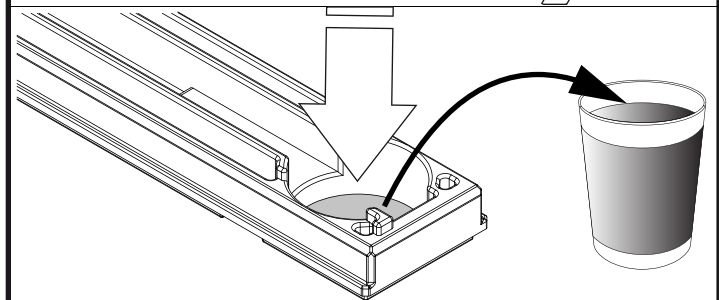
Connector should only be connected to SELV Voltage

DA1 & DA2 : DALI CHANNELS FOR ED5 MODULES  
Or 48V-DC CIRCUIT 2

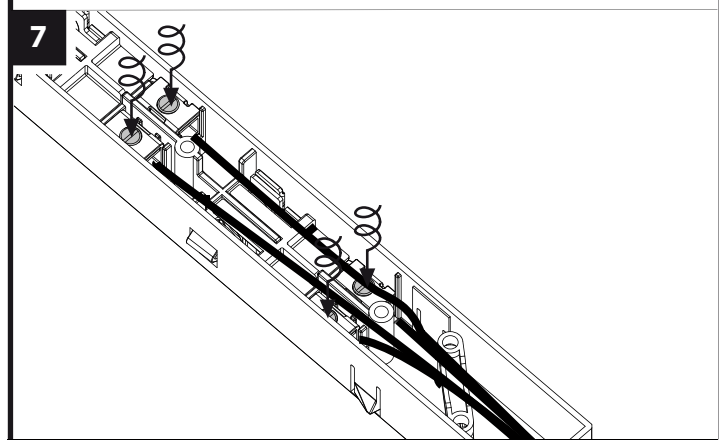
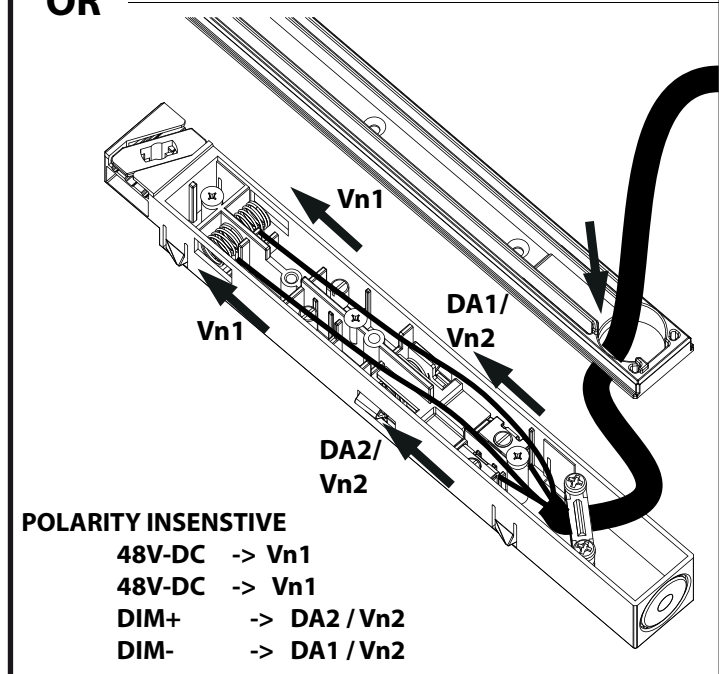


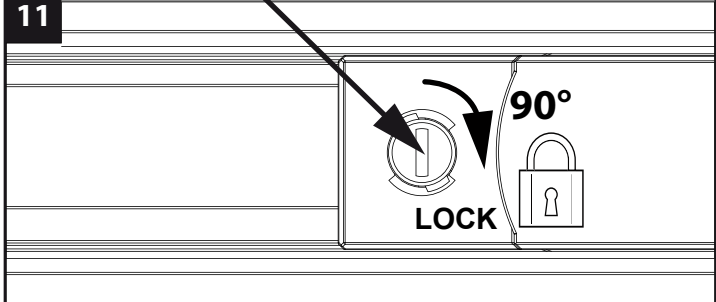
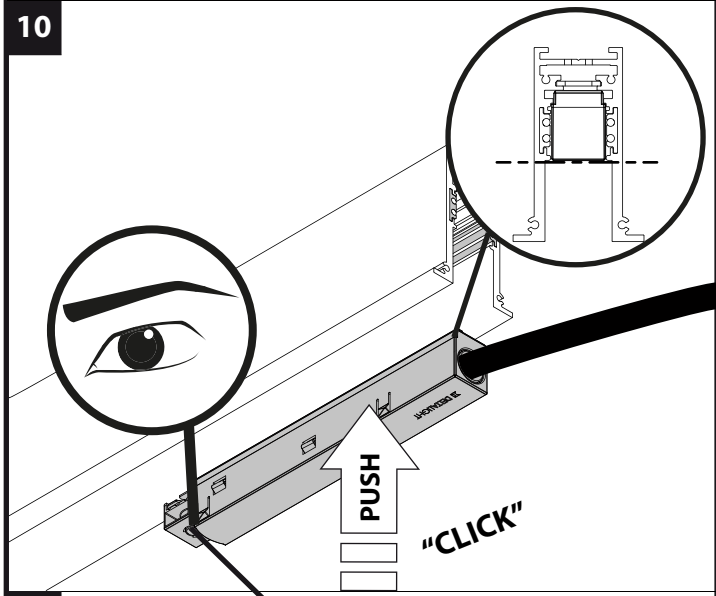
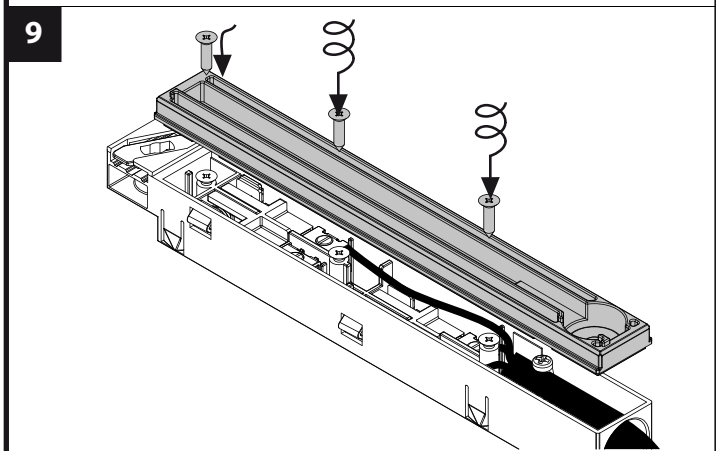
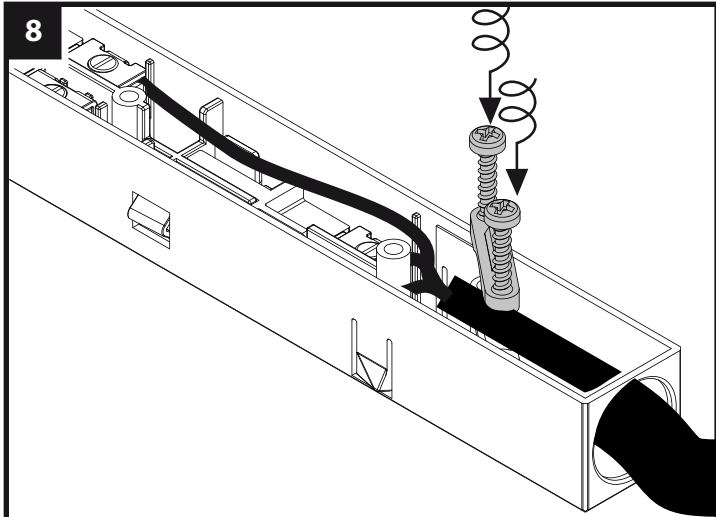


**OR**

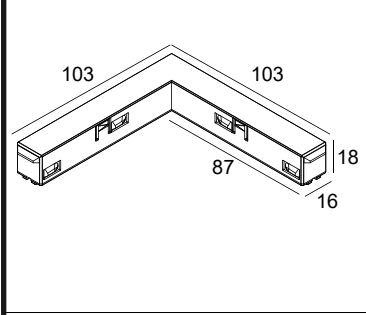


**OR**





**SPM - CONNECTOR 48V - 90°**



SPM - CONNECTOR 48V-90°  
23300 9920

48V-DC  
MAX. 200W  
MAX. 50M



**CAUTION** TO REDUCE THE RISK OF OVERHEATING AND FIRE, DO NOT BRIDGE CONDUCTORS

