

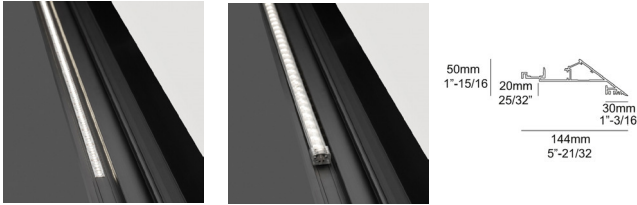
SPLIT-IT



The Split-It made-to-measure lighting system integrates seamlessly with architecture and demonstrates that form and functionality in lighting have definitely gone down a new path, opening new ways to integrate “lighting paths” with architecture. The 37° knife-edge gives the appearance of a thin floating ceiling plane. Several corners and U-shaped returns help achieve clean cove installations. Options for indirect lighting in two different locations, depending on the desired effect, and even high output aimable spots powered from above add to the versatility of the system.

Listing

ETL certified to US and Canadian safety standards
5-year limited warranty



LEDflex

LEDline

Specification	
LED type	LEDflex / LED spots
Installation:	Knife-edge recessed
Body/Extrusion:	Anodized aluminum
Endcaps:	Aluminum
Finish:	Black / White
Lens:	Sandblasted polycarbonate

Performance	LEDflex LP (Static CCT)	LEDflex MP (Static CCT)	LEDflex FP (Static CCT)	LEDflex HP (Static CCT)	LEDflex (Soft Dim)	LEDflex (Tunable white)	LEDflex (RGB)
CCT Options:	2700K, 3000K, 3500K, 4000K				3000-1800K	2700-5700K	RGB
CRI:	90+				90+	90+	90+
*Power:	1.5W/ft	3.1W/ft	4.6W/ft	6.1W/ft	5.6W/ft	5.9W/ft	3.4W/ft
Deliverd Lumens:	169 lm/ft	321 lm/ft	558 lm/ft	750 lm/ft	286 lm/ft	218 lm/ft	R: 81 lm/ft G: 287 lm/ft B: 65 lm/ft
Maximum per 96W Driver:	61' 0"-11/16	31' 0"-15/32	20' 0"-11/16	15' 0"-3/4	16' 0"-13/32	33'	28' 0"-17/32
LED Cut Lenght:	2"	1"-5/16	2"-7/16	2"	2"-7/16	2"-13/16	2"
Damp Rated (IP20) Option:	Yes	Yes	Yes	Yes	Yes	Yes	Yes
Wet Rated (IP65) Option:	Yes	Yes	Yes	No	No	No	No
McAdam Step:	3			2			
LED Maintenance:	L70>40,000h			L70>60,000h			
Voltage:	24V						
Dimming:	Standard 0-10V dim 120-277V (1%), FE ELV dim 120V (1%)						
Power Supply	96W, Constant Voltage driver with 0.9+ power factor and 90+% efficiency						

For emergency lighting, inverter system in by others. Consult factory for more information. Data in chart reflects 3000K/90 CRI values unless otherwise noted.

Ordering

ALL BOXES MUST BE FILLED IN TO CORRECTLY ORDER

Example: P-SPTC-B-S-LL30SPD-RMTD1-P

REFER TO PAGE 2 FOR FULL ORDERING AND PRODUCT CODE INFORMATION

Ordering

ALL BOXES MUST BE FILLED IN TO CORRECTLY ORDER

Example: P-SPTC-B-S-LL30SPD-RMTD1-P

Body Type	Installation	Body Finish	Spotlights	Uplight*	CCT	Power*	Rating	Application	Controls	Layout	Length
P-SPT Split-It Profile (hardware)	C Ceiling	B Black	X No optional spotlights	X No linear uplight	X No linear uplight	X No linear uplight	X No linear uplight	X No linear uplight	X No linear uplight	S Straight run <118"	Nominal length in inches <i>Continue to modules grid below</i>
	W Wall bracket	W White	S ⁽¹⁾ Adding spotlights	LL ⁽¹⁾ LED Line extrusion with LEDflex	30 3000K	SP Standard Power	D Damp	RMT Remote Power Supply	D1 0-10V dim 120-277V		
				PL LEDflex in lower channel	27 2700K	LP Low Power	D Damp		D8 FE ELV dim 120V	SJ Straight run >118" (joined bodies)	
				PU LEDflex in upper channel	30 3000K	MP Medium Power	W ⁽³⁾ Wet			P Prefabricated cove Available cove widths: 3"-9/16 or 5"-15/16	
					35 3500K	FP Full Power			L L-Shape (2-sided)		
					40 4000K	HP ⁽³⁾ High Power			U U-Shape (3-sided)		
				SD 3000-1800K	SP Standard Power	D Damp			R Rectangle (4-sided)		
				TW 2700-5700K	SP Standard Power	D Damp	RMT Remote Power Supply		CT DMX512-A / RDM 4-channel	C Custom	

1 See SPLIT-IT MODULES specsheet to specify Spy modules & LED Line linear.
2 High Power not available in Rating W (Wet).

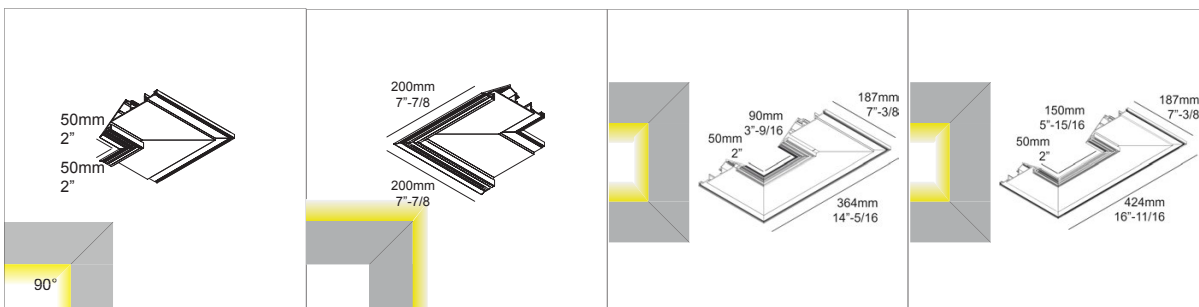
Configuration

ALL BOXES MUST BE FILLED IN TO CORRECTLY ORDER

Example: C-SPT-102-PW-102-PW (prefab cove 106" long)

Body Type	Length	Connection	Length	Connection	Length	Connection	Length	Connection
C-SPT Split-It Profile Configuration	Nominal length in inches Straight run <118"	C90I 90° insert with internal illumination Extends each inside edge 2"	Nominal length in inches Straight run <118"	C90I 90° insert with internal illumination Extends each inside edge 2"	Nominal length in inches Straight run <118"	C90I 90° insert with internal illumination Extends each inside edge 2"	Nominal length in inches Straight run <118"	C90I 90° insert with internal illumination Extends each inside edge 2"
		C90E 90° insert with external illumination Extends each outside edge 7"-7/8		C90E 90° insert with external illumination Extends each outside edge 7"-7/8		C90E 90° insert with external illumination Extends each outside edge 7"-7/8		C90E 90° insert with external illumination Extends each outside edge 7"-7/8
		C135 135° joiner bracket		C135 135° joiner bracket		C135 135° joiner bracket		C135 135° joiner bracket
		PN U-Shaped connector for prefab cove 3"-9/16 cove width, extends cove 2"		PN U-Shaped connector for prefab cove 3"-9/16 cove width, extends cove 2"		PN U-Shaped connector for prefab cove 3"-9/16 cove width, extends cove 2"		PN U-Shaped connector for prefab cove 3"-9/16 cove width, extends cove 2"
		PW U-Shaped connector for prefab cove 5"-15/16 cove width, extends cove 2"		PW U-Shaped connector for prefab cove 5"-15/16 cove width, extends cove 2"		PW U-Shaped connector for prefab cove 5"-15/16 cove width, extends cove 2"		PW U-Shaped connector for prefab cove 5"-15/16 cove width, extends cove 2"
		S180 180° joiner bracket		S180 180° joiner bracket		S180 180° joiner bracket		S180 180° joiner bracket

Continue for all sections / connections for each run
Continue to modules grid below

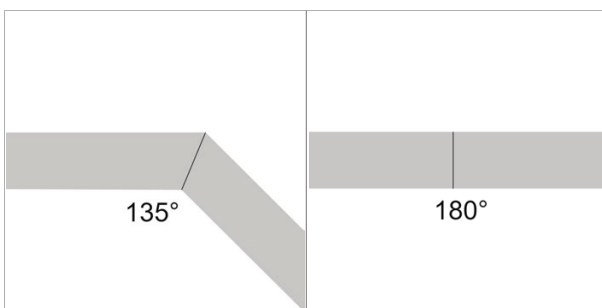


C 90 I

C 90 E

PN

PW



C 135

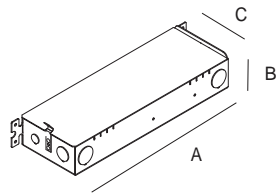
S 180

Installation Options

REMOTE DRIVER (With Control D1 only)

A: 12" x B: 2"-7/8 x C: 4"-1/4
 A: 305mm x B: 72mm x C: 108mm

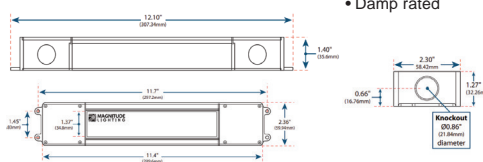
- For Remote application
- ETL Listed
- Damp rated



REMOTE DRIVER (With Control D8 only)

A: 12-1/8" x B: 1"-1/4 x C: 2"-3/8
 A: 307.34mm x B: 32.26mm x C: 59.94mm

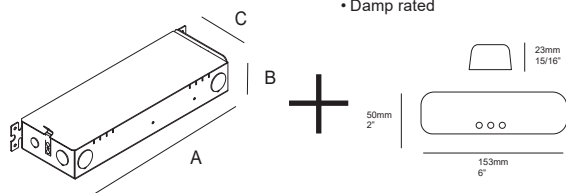
- For Remote application
- ETL Listed
- Damp rated



REMOTE DRIVER (With Controls CT)

A: 12" x B: 2"-7/8 x C: 4"-1/4
 A: 305mm x B: 72mm x C: 108mm

- For Remote application
- ETL Listed
- Damp rated



Driver Options - For Optional Linear Uplight

D1

- Dimming Control 0-10V
- Dimming Range 10-100%
- Dim to off yes
- Power Factor @ Full Load >0.95
- Efficiency @ Full Load ≥90
- THD @ Full Load <10%

D8

- Dimming Control Phase Control
- Dimming Range 1-100%
- Dim to off yes
- Power Factor @ Full Load >0.95
- Efficiency @ Full Load ≥90
- THD @ Full Load <10%

CT

- Dimming Control DMX512-A / RDM 4-channel

As technology changes, please use information above as guidance. For most recent updated information please contact factory. Specifications subject to change without notice.